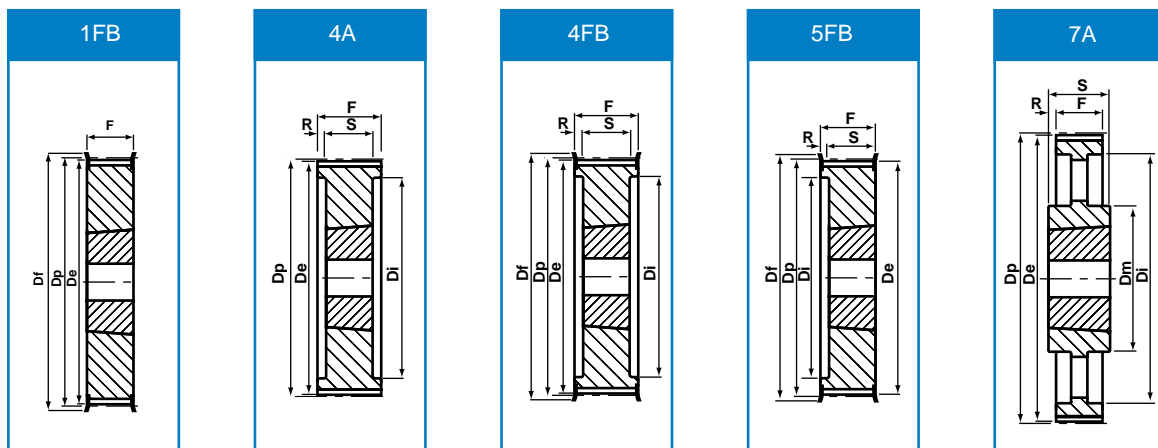


HTD® Taper Bore

5mm Pitch 5M-15 (15mm Wide Belt)

Product Description	Number of Teeth	Type	Bush Size	Material	Dp	De	Df	Dm	Di	F	S	R	Weight Kg
34-5M-15	34	8FB	1008	Steel	54.11	52.97	57.00	43	-	20.5	22	1.50	0.19
36-5M-15	36	8FB	1108	Steel	57.30	56.16	60.00	44	-	20.5	22	1.50	0.20
38-5M-15	38	8FB	1108	Steel	60.48	59.34	66.00	48	-	20.5	22	1.50	0.25
40-5M-15	40	8FB	1108	Steel	63.66	62.52	71.00	52	-	20.5	22	1.50	0.31
44-5M-15	44	8FB	1108	Steel	70.03	68.89	75.00	54	-	20.5	22	1.50	0.40
48-5M-15	48	8FB	1210	Cast Iron	76.39	75.25	83.00	64	-	20.5	25	4.50	0.45
56-5M-15	56	8FB	1210	Cast Iron	89.13	87.99	93.00	70	-	20.5	25	4.50	0.67
64-5M-15	64	8FB	1210	Cast Iron	95.49	94.35	106.00	78	-	20.5	25	4.50	0.96
72-5M-15	72	8FB	1610	Cast Iron	114.59	113.45	119.00	90	-	20.5	25	4.50	1.19
80-5M-15	80	8FB	1610	Cast Iron	127.32	126.18	135.00	92	-	20.5	25	4.50	1.57
90-5M-15	90	7A	1610	Cast Iron	143.24	142.10	-	92	126	20.5	25	2.30	1.47
112-5M-15	112	7A	1610	Cast Iron	178.25	177.11	-	92	162	20.5	25	2.30	1.94
136-5M-15	136	7A	2012	Cast Iron	216.45	215.31	-	106	199	20.5	32	5.80	3.06
150-5M-15	150	7A	2012	Cast Iron	238.73	237.59	-	106	222	20.5	32	5.80	3.90



8mm Pitch 8M-20 (20mm Wide Belt)

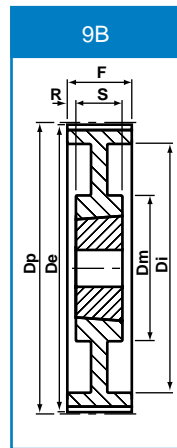
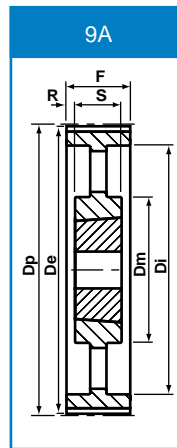
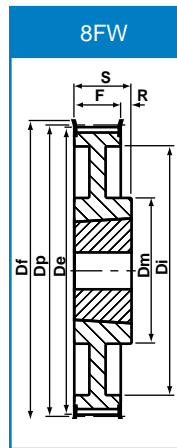
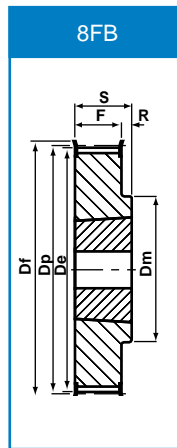
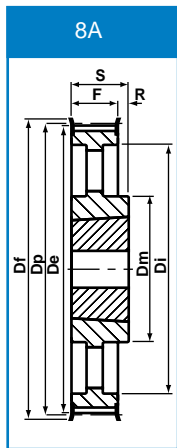
Product Description	Number of Teeth	Type	Bush Size	Material	Dp	De	Df	Dm	Di	F	S	R	Weight Kg
22-8M-20	22	5FB	1008	Cast Iron	56.02	54.65	60.00	-	41	28	22	6.00	0.24
24-8M-20	24	5FB	1108	Cast Iron	61.12	59.75	66.00	-	42	28	22	6.00	0.30
26-8M-20	26	5FB	1108	Cast Iron	66.21	64.84	71.00	-	46	28	22	6.00	0.36
28-8M-20	28	5FB	1108	Cast Iron	71.30	70.08	75.00	-	50	28	22	6.00	0.44
30-8M-20	30	5FB	1108	Cast Iron	76.39	75.13	83.00	-	58	28	22	6.00	0.53
32-8M-20	32	5FB	1610	Cast Iron	81.49	80.16	87.00	-	62	28	25	3.00	0.42
34-8M-20	34	5FB	1610	Cast Iron	86.58	85.22	91.00	-	65	28	25	3.00	0.55
36-8M-20	36	5FB	1610	Cast Iron	91.67	90.30	98.50	-	68	28	25	3.00	0.68
38-8M-20	38	5FB	1610	Cast Iron	96.77	95.39	103.00	-	72	28	25	3.00	0.80
40-8M-20	40	5FB	1610	Cast Iron	101.86	100.49	106.00	-	76	28	25	3.00	1.00
44-8M-20	44	8FB	2012	Cast Iron	112.05	110.67	119.00	93	-	28	32	4.00	1.20
48-8M-20	48	8FB	2012	Cast Iron	122.23	120.86	127.00	96	-	28	32	4.00	1.60
56-8M-20	56	8FB	2012	Cast Iron	142.60	141.23	148.00	110	-	28	32	4.00	2.40
64-8M-20	64	8FW	2012	Cast Iron	162.97	161.60	168.00	110	137	28	32	4.00	2.70
72-8M-20	72	8FW	2012	Cast Iron	183.35	181.97	192.00	110	158	28	32	4.00	3.30
80-8M-20	80	8W	2012	Cast Iron	203.72	202.35	-	110	180	28	32	4.00	3.50
90-8M-20	90	8A	2012	Cast Iron	229.18	227.81	-	110	204	28	32	4.00	3.65
112-8M-20	112	8A	2517	Cast Iron	285.21	283.83	-	125	260	38	45	7.00	6.20
144-8M-20	144	8A	2517	Cast Iron	366.69	365.32	-	125	341	38	45	7.00	9.00
168-8M-20	168	7A	3525	Cast Iron	427.81	426.44	-	190	402	60	65	2.50	16.40
192-8M-20	192	7A	3525	Cast Iron	488.92	487.55	-	190	460	60	65	2.50	21.80

Every effort has been taken to ensure that the data listed in this catalogue is correct. Challenge accepts no liability for any inaccuracies or damage caused. All dimensions in millimetres unless otherwise stated.

HTD® Taper Bore

8mm Pitch 8M-30 (30mm Wide Belt)

Product Description	Number of Teeth	Type	Bush Size	Material	Dp	De	Df	Dm	Di	F	S	R	Weight Kg
22-8M-30	22	5FB	1008	Cast Iron	56.02	54.65	60.00	-	41	28	22	6.00	0.24
24-8M-30	24	5FB	1108	Cast Iron	61.12	59.75	66.00	-	42	38	22	16.00	0.38
26-8M-30	26	5FB	1108	Cast Iron	66.21	64.84	71.00	-	46	38	22	16.00	0.45
28-8M-30	28	5FB	1108	Cast Iron	71.30	70.08	75.00	-	50	38	25	13.00	0.50
30-8M-30	30	1FB	1615	Cast Iron	76.39	75.13	83.00	-	-	38	38	-	0.55
32-8M-30	32	1FB	1615	Cast Iron	81.49	80.16	87.00	-	-	38	38	-	0.59
34-8M-30	34	1FB	1615	Cast Iron	86.58	85.22	91.00	-	-	38	38	-	0.77
36-8M-30	36	1FB	1615	Cast Iron	91.67	90.30	98.50	-	-	38	38	-	0.96
38-8M-30	38	1FB	1615	Cast Iron	96.77	95.39	103.00	-	-	38	38	-	1.15
40-8M-30	40	1FB	1615	Cast Iron	101.86	100.49	106.00	-	-	38	38	-	1.34
44-8M-30	44	4FB	2012	Cast Iron	112.05	110.67	119.00	-	91	38	32	3.00	1.33
48-8M-30	48	4FB	2012	Cast Iron	122.23	120.86	127.00	-	95	38	32	3.00	1.78
56-8M-30	56	4FB	2012	Cast Iron	142.60	141.23	148.00	-	117	38	32	3.00	3.76
64-8M-30	64	8FB	2517	Cast Iron	162.97	161.60	168.00	125	-	38	45	7.00	4.20
72-8M-30	72	8FW	2517	Cast Iron	183.35	181.97	192.00	125	158	38	45	7.00	4.30
80-8M-30	80	8W	2517	Cast Iron	203.72	202.35	-	125	180	38	45	7.00	4.60
90-8M-30	90	8A	2517	Cast Iron	229.18	227.81	-	125	204	38	45	7.00	5.00
112-8M-30	112	8A	2517	Cast Iron	285.21	283.83	-	125	260	38	45	7.00	6.20
144-8M-30	144	8A	2517	Cast Iron	366.69	365.32	-	125	341	38	45	7.00	9.00



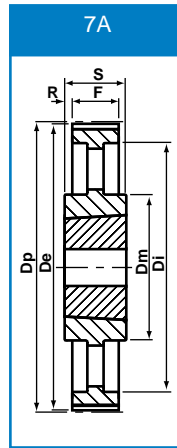
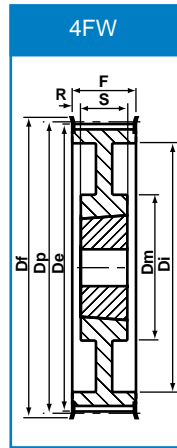
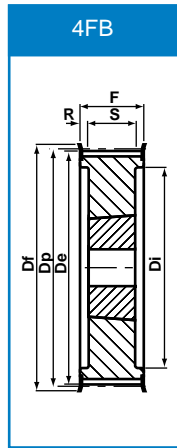
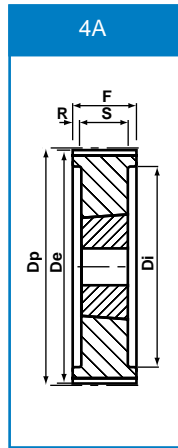
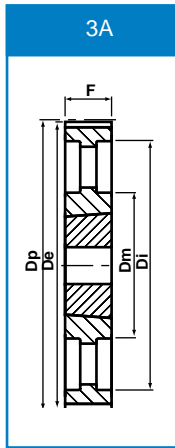
8mm Pitch 8M-50 (50mm Wide Belt)

Product Description	Number of Teeth	Type	Bush Size	Material	Dp	De	Df	Dm	Di	F	S	R	Weight Kg
28-8M-50	28	5FB	1210	Cast Iron	71.30	70.08	75.00	-	50	60	25	35.00	0.60
30-8M-50	30	5FB	1615	Cast Iron	76.39	75.13	83.00	-	58	60	38	22.00	0.65
32-8M-50	32	5FB	1615	Cast Iron	81.49	80.16	87.00	-	62	60	38	22.00	0.82
34-8M-50	34	5FB	1615	Cast Iron	86.58	85.22	91.00	-	65	60	38	22.00	1.10
36-8M-50	36	5FB	1615	Cast Iron	91.67	90.30	98.50	-	68	60	38	22.00	1.30
38-8M-50	38	5FB	1615	Cast Iron	96.77	95.39	103.00	-	72	60	38	22.00	1.60
40-8M-50	40	4FB	2012	Cast Iron	101.86	100.49	106.00	-	82	60	32	14.00	1.71
44-8M-50	44	4FB	2012	Cast Iron	112.05	110.67	119.00	-	91	60	32	14.00	1.78
48-8M-50	48	4FB	2012	Cast Iron	122.23	120.86	127.00	-	96	60	32	14.00	2.30
56-8M-50	56	4FB	2517	Cast Iron	142.60	141.23	148.00	-	116	60	45	7.50	3.40
64-8M-50	64	4FB	2517	Cast Iron	162.97	161.60	168.00	-	137	60	45	7.50	5.00
72-8M-50	72	4FB	2517	Cast Iron	183.35	181.97	192.00	125	158	60	45	7.50	6.70
80-8M-50	80	4A	3020	Cast Iron	203.72	202.35	-	-	180	60	51	4.50	8.80
90-8M-50	90	9B	3020	Cast Iron	229.18	227.81	-	170	204	60	51	4.50	10.00
112-8M-50	112	9B	3020	Cast Iron	285.21	283.83	-	170	260	60	51	4.50	12.00
144-8M-50	144	9A	3020	Cast Iron	366.69	365.32	-	170	341	60	51	4.50	15.20
168-8M-50	168	7A	3525	Cast Iron	427.81	426.44	-	190	402	60	65	2.50	16.40
192-8M-50	192	7A	3525	Cast Iron	488.92	487.55	-	190	460	60	65	2.50	21.80

HTD® Taper Bore

8mm Pitch 8M-85 (85mm Wide Belt)

Product Description	Number of Teeth	Type	Bush Size	Material	Dp	De	Df	Dm	Di	F	S	R	Weight Kg
34-8M-85	34	4FB	1615	Cast Iron	86.58	85.22	91.00	-	65	95	38	28.50	1.43
36-8M-85	36	4FB	1615	Cast Iron	91.67	90.30	98.50	-	68	95	38	28.50	1.87
38-8M-85	38	4FB	1615	Cast Iron	96.77	95.39	103.00	-	72	95	38	28.50	2.20
40-8M-85	40	4FB	2012	Cast Iron	101.86	100.49	106.00	-	82	95	32	31.50	1.80
44-8M-85	44	4FB	2012	Cast Iron	112.05	110.67	119.00	-	91	95	32	31.50	2.30
48-8M-85	48	4FB	2517	Cast Iron	122.23	120.86	127.00	-	100	95	45	25.00	2.66
56-8M-85	56	4FB	2517	Cast Iron	142.60	141.23	148.00	-	117	95	45	25.00	4.45
64-8M-85	64	4FB	2517	Cast Iron	162.97	161.60	168.00	-	137	95	45	25.00	6.20
72-8M-85	72	4FB	3020	Cast Iron	183.35	181.97	192.00	-	158	95	51	22.00	8.00
80-8M-85	80	4A	3020	Cast Iron	203.72	202.35	-	-	180	95	51	22.00	10.00
90-8M-85	90	9B	3020	Cast Iron	229.18	227.81	-	170	204	95	51	22.00	10.80
112-8M-85	112	9B	3020	Cast Iron	285.21	283.83	-	170	260	95	51	22.00	15.00
144-8M-85	144	9A	3525	Cast Iron	366.69	365.32	-	190	341	95	65	15.00	20.00
168-8M-85	168	9A	3525	Cast Iron	427.81	426.44	-	190	402	95	65	15.00	23.00
192-8M-85	192	9A	3525	Cast Iron	488.92	487.55	-	190	460	95	65	15.00	28.50



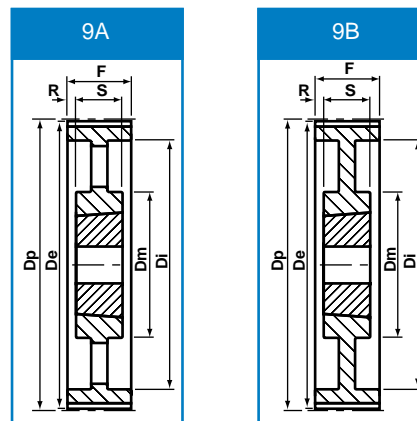
14mm Pitch 14M-40 (40mm Wide Belt)

Product Description	Number of Teeth	Type	Bush Size	Material	Dp	De	Df	Dm	Di	F	S	R	Weight Kg
28-14M-40	28	4FB	2012	Cast Iron	124.78	122.12	127.00	-	98	54	32	11.00	2.10
29-14M-40	29	4FB	2012	Cast Iron	129.23	126.57	138.00	-	100	54	32	11.00	2.38
30-14M-40	30	4FB	2012	Cast Iron	133.69	130.99	138.00	-	100	54	32	11.00	2.65
32-14M-40	32	4FB	2012	Cast Iron	142.60	139.88	154.00	-	104	54	32	11.00	3.40
34-14M-40	34	4FB	2517	Cast Iron	151.52	148.79	160.00	-	110	54	45	4.50	3.87
36-14M-40	36	4FB	2517	Cast Iron	160.43	157.68	168.00	-	120	54	45	4.50	4.80
38-14M-40	38	4FB	2517	Cast Iron	169.34	166.60	183.00	-	130	54	45	4.50	5.40
40-14M-40	40	4FB	2517	Cast Iron	178.28	175.49	188.00	-	138	54	45	4.50	6.00
44-14M-40	44	4FB	3020	Cast Iron	196.08	193.28	211.00	-	155	54	51	1.50	7.80
48-14M-40	48	4FB	3020	Cast Iron	213.90	211.11	226.00	-	170	54	51	1.50	9.40
56-14M-40	56	4FW	3020	Cast Iron	249.55	246.76	256.00	170	208	54	51	1.50	10.10
64-14M-40	64	4FW	3020	Cast Iron	285.21	282.41	296.00	170	242	54	51	1.50	13.40
72-14M-40	72	9B	3020	Cast Iron	320.86	318.06	-	170	280	54	51	1.50	15.20
80-14M-40	80	9A	3020	Cast Iron	356.51	353.71	-	170	315	54	51	1.50	16.00
90-14M-40	90	9A	3020	Cast Iron	401.07	398.28	-	170	360	54	51	1.50	17.80
112-14M-40	112	9A	3020	Cast Iron	499.11	496.32	-	170	457	54	51	1.50	25.60
144-14M-40	144	9A	3020	Cast Iron	641.71	638.92	-	170	600	54	51	1.50	32.00
168-14M-40	168	9A	3020	Cast Iron	748.66	745.87	-	170	706	54	51	1.50	44.00
192-14M-40	192	9A	3020	Cast Iron	855.62	852.82	-	170	813	54	51	1.50	49.00
216-14M-40	216	9A	3020	Cast Iron	962.57	959.76	-	170	920	54	51	1.50	55.00

HTD® Taper Bore

14mm Pitch 14M-55 (55mm Wide Belt)

Product Description	Number of Teeth	Type	Bush Size	Material	Dp	De	Df	Dm	Di	F	S	R	Weight Kg
28-14M-55	28	4FB	2012	Cast Iron	124.78	122.12	127.00	-	98	70	32	19.00	2.20
29-14M-55	29	4FB	2012	Cast Iron	129.23	126.57	138.00	-	100	70	32	19.00	2.74
30-14M-55	30	4FB	2517	Cast Iron	133.69	130.99	138.00	-	100	70	45	12.50	2.70
32-14M-55	32	4FB	2517	Cast Iron	142.60	139.88	154.00	-	108	70	45	12.50	3.66
34-14M-55	34	4FB	2517	Cast Iron	151.52	148.79	160.00	-	110	70	45	12.50	4.55
36-14M-55	36	4FB	2517	Cast Iron	160.43	157.68	168.00	-	120	70	45	12.50	5.20
38-14M-55	38	4FB	2517	Cast Iron	169.34	166.60	183.00	-	130	70	45	12.50	6.20
40-14M-55	40	4FB	2517	Cast Iron	178.25	175.49	188.00	-	138	70	45	12.50	7.00
44-14M-55	44	4FB	3020	Cast Iron	196.08	193.28	211.00	-	155	70	51	9.50	8.60
48-14M-55	48	4FB	3020	Cast Iron	213.90	211.11	226.00	-	170	70	51	9.50	10.40
56-14M-55	56	4FW	3020	Cast Iron	249.55	246.76	256.00	170	208	70	51	9.50	12.00
64-14M-55	64	4FW	3020	Cast Iron	285.21	282.41	296.00	170	242	70	51	9.50	14.50
72-14M-55	72	9B	3020	Cast Iron	320.86	318.06	-	170	280	70	51	9.50	16.20
80-14M-55	80	9A	3020	Cast Iron	356.51	353.71	-	170	315	70	51	9.50	17.50
90-14M-55	90	9A	3020	Cast Iron	401.07	398.28	-	170	360	70	51	9.50	20.10
112-14M-55	112	9A	3020	Cast Iron	499.11	496.32	-	170	457	70	51	9.50	28.40
144-14M-55	144	9A	3020	Cast Iron	641.71	638.92	-	170	600	70	51	9.50	36.20
168-14M-55	168	9A	3020	Cast Iron	748.66	745.87	-	170	706	70	51	9.50	49.00
192-14M-55	192	9A	3020	Cast Iron	855.62	852.82	-	170	813	70	51	9.50	53.00
216-14M-55	216	7A	3535	Cast Iron	962.57	959.76	-	190	920	70	89	9.50	65.90



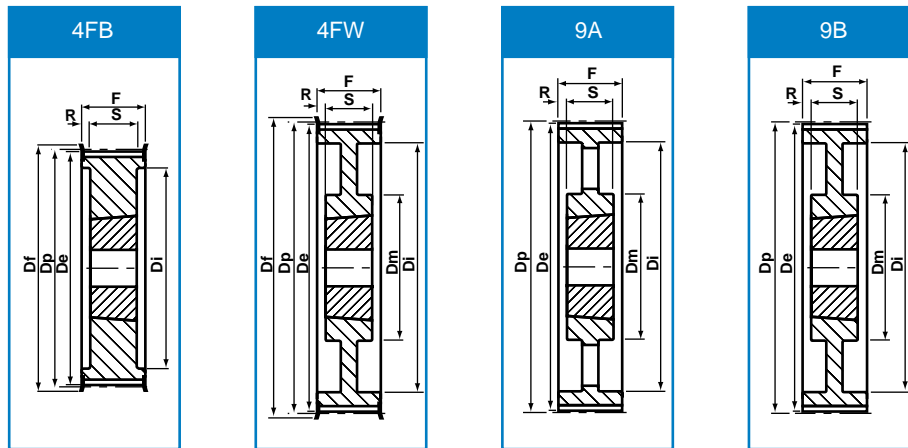
14mm Pitch 14M-85 (85mm Wide Belt)

Product Description	Number of Teeth	Type	Bush Size	Material	Dp	De	Df	Dm	Di	F	S	R	Weight Kg
28-14M-85	28	4FB	2517	Cast Iron	124.78	122.12	127.00	-	98	102	45	28.50	2.70
29-14M-85	29	4FB	2517	Cast Iron	129.23	126.57	138.00	-	100	102	45	28.50	3.40
30-14M-85	30	4FB	2517	Cast Iron	133.69	130.99	138.00	-	100	102	45	28.50	3.75
32-14M-85	32	4FB	2517	Cast Iron	142.60	139.88	154.00	-	108	102	45	28.50	4.80
34-14M-85	34	4FB	2517	Cast Iron	151.52	148.79	160.00	-	110	102	45	28.50	6.00
36-14M-85	36	4FB	3020	Cast Iron	160.43	157.68	168.00	-	125	102	51	25.50	5.80
38-14M-85	38	4FB	3020	Cast Iron	169.34	166.60	183.00	-	130	102	51	25.50	6.80
40-14M-85	40	4FB	3020	Cast Iron	178.25	175.49	188.00	-	138	102	51	25.50	8.00
44-14M-85	44	4FB	3030	Cast Iron	196.08	193.28	211.00	-	155	102	76	13.00	11.80
48-14M-85	48	4FB	3030	Cast Iron	213.90	211.11	226.00	-	170	102	76	13.00	15.10
56-14M-85	56	4FB	3535	Cast Iron	249.55	246.76	256.00	190	210	102	89	6.50	18.00
64-14M-85	64	4FW	3535	Cast Iron	285.21	282.41	296.00	190	242	102	89	6.50	23.00
72-14M-85	72	9B	3535	Cast Iron	320.86	318.06	-	190	280	102	89	6.50	25.00
80-14M-85	80	9A	3535	Cast Iron	356.51	353.71	-	190	315	102	89	6.50	26.00
90-14M-85	90	9A	3535	Cast Iron	401.07	398.28	-	190	360	102	89	6.50	28.00
112-14M-85	112	9A	3535	Cast Iron	499.11	496.32	-	190	457	102	89	6.50	36.50
144-14M-85	144	9A	3535	Cast Iron	641.71	638.92	-	190	600	102	89	6.50	48.00
168-14M-85	168	9A	3535	Cast Iron	748.66	745.87	-	190	706	102	89	6.50	60.00
192-14M-85	192	3A	4040	Cast Iron	855.62	852.82	-	230	813	102	102	-	86.00
216-14M-85	216	3A	4040	Cast Iron	962.57	959.76	-	230	920	102	102	-	91.50

HTD® Taper Bore

14mm Pitch 14M-115 (115mm Wide Belt)

Product Description	Number of Teeth	Type	Bush Size	Material	Dp	De	Df	Dm	Di	F	S	R	Weight Kg
28-14M-115	28	4FB	2517	Cast Iron	124.78	122.12	127.00	-	98	133	45	44.00	3.70
29-14M-115	29	4FB	2517	Cast Iron	129.23	126.57	138.00	-	100	133	45	44.00	4.00
30-14M-115	30	4FB	2517	Cast Iron	133.69	130.99	138.00	-	100	133	45	44.00	5.00
32-14M-115	32	4FB	2517	Cast Iron	142.60	139.88	154.00	-	108	133	45	44.00	6.80
34-14M-115	34	4FB	2517	Cast Iron	151.52	148.79	160.00	-	110	133	45	44.00	6.80
36-14M-115	36	4FB	3020	Cast Iron	160.43	157.68	168.00	-	125	133	51	41.00	7.00
38-14M-115	38	4FB	3020	Cast Iron	169.34	166.60	183.00	-	130	133	51	41.00	8.40
40-14M-115	40	4FB	3020	Cast Iron	178.25	175.49	188.00	-	140	133	51	41.00	9.20
44-14M-115	44	4FB	3030	Cast Iron	196.08	193.28	211.00	-	155	133	76	28.50	14.00
48-14M-115	48	4FB	3030	Cast Iron	213.90	211.11	226.00	-	170	133	76	28.50	17.10
56-14M-115	56	4FB	3535	Cast Iron	249.55	246.76	265.00	-	210	133	89	22.00	24.80
64-14M-115	64	4FW	3535	Cast Iron	285.21	282.41	296.00	190	242	133	89	22.00	27.00
72-14M-115	72	9B	3535	Cast Iron	320.86	318.06	-	190	280	133	89	22.00	29.00
80-14M-115	80	9A	3535	Cast Iron	356.51	353.71	-	190	315	133	89	22.00	32.00
90-14M-115	90	9A	3535	Cast Iron	401.07	398.28	-	190	360	133	89	22.00	36.50
112-14M-115	112	9A	3535	Cast Iron	499.11	496.32	-	190	457	133	89	22.00	46.00
144-14M-115	144	9A	4040	Cast Iron	641.71	638.92	-	230	600	133	102	15.50	68.00
168-14M-115	168	9A	4040	Cast Iron	748.66	745.87	-	230	706	133	102	15.50	82.60
192-14M-115	192	9A	4040	Cast Iron	855.62	852.82	-	230	813	133	102	15.50	96.00
216-14M-115	216	9A	4040	Cast Iron	962.57	959.76	-	230	920	133	102	15.50	107.00



14mm Pitch 14M-170 (170mm Wide Belt)

Product Description	Number of Teeth	Type	Bush Size	Material	Dp	De	Df	Dm	Di	F	S	R	Weight Kg
38-14M-170	38	4FB	3030	Cast Iron	169.34	166.60	183.00	-	130	187	76	55.50	11.70
40-14M-170	40	4FB	3030	Cast Iron	178.25	175.49	188.00	-	140	187	76	55.50	13.00
44-14M-170	44	4FB	3535	Cast Iron	196.08	193.28	211.00	-	155	187	89	49.00	15.00
48-14M-170	48	4FB	3535	Cast Iron	213.90	211.11	226.00	-	175	187	89	49.00	19.00
56-14M-170	56	4FB	3535	Cast Iron	249.55	246.76	256.00	-	210	187	89	49.00	28.50
64-14M-170	64	4FB	4040	Cast Iron	285.21	282.41	296.00	-	240	187	102	42.50	41.00
72-14M-170	72	9B	4040	Cast Iron	320.86	318.06	-	230	280	187	102	42.50	46.90
80-14M-170	80	9B	4040	Cast Iron	356.51	353.71	-	230	315	187	102	42.50	48.00
90-14M-170	90	9A	4040	Cast Iron	401.07	398.28	-	230	360	187	102	42.50	52.50
112-14M-170	112	9A	5050	Cast Iron	499.11	496.32	-	265	456	187	127	30.00	74.50
144-14M-170	144	9A	5050	Cast Iron	641.71	638.92	-	265	600	187	127	30.00	91.00
168-14M-170	168	9A	5050	Cast Iron	748.66	745.87	-	265	706	187	127	30.00	116.00
192-14M-170	192	9A	5050	Cast Iron	855.62	852.82	-	265	813	187	127	30.00	134.00
216-14M-170	216	9A	5050	Cast Iron	962.57	959.76	-	265	920	187	127	30.00	146.50