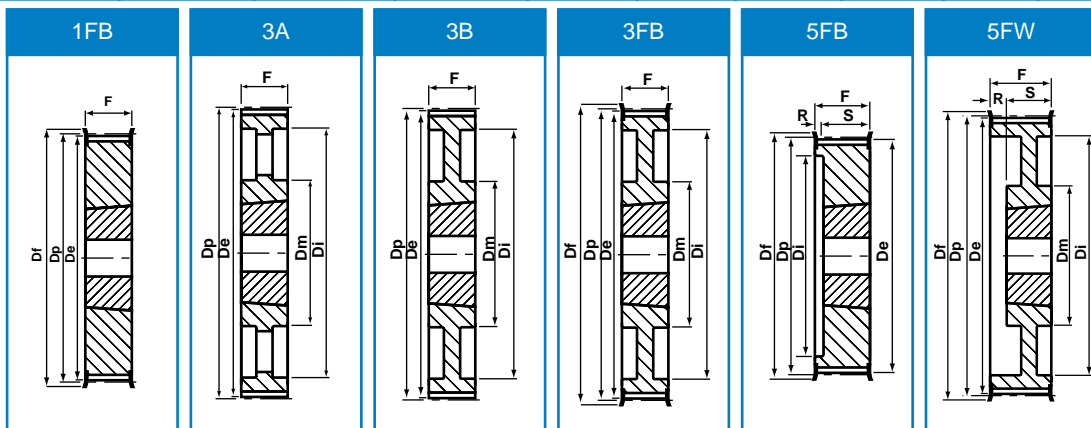


## Timing Taper Bore

### 3/8" PITCH (9.525mm) L050

Number of Teeth	Type	Bush Size	De	Dp	Df	Dm	Di	F	S	R	Weight Kg
18	8FB	1108	53.81	54.57	60	43	-	19	22	3.0	0.2
19	8FB	1108	56.84	57.61	63	43	-	19	22	3.0	0.2
20	8FB	1108	59.88	60.64	67	48	-	19	22	3.0	0.2
21	8FB	1108	62.91	63.67	70	48	-	19	22	3.0	0.3
22	8FB	1108	65.94	66.70	75	51	-	19	22	3.0	0.3
23	8FB	1108	68.97	69.73	79	54	-	19	22	3.0	0.4
24	8FB	1108	72.00	72.77	79	54	-	19	22	3.0	0.4
25	8FB	1108	75.04	75.80	87	56	-	19	22	3.0	0.5
26	8FB	1108	78.07	78.83	87	60	-	19	22	3.0	0.5
27	8FB	1108	81.10	81.86	91	65	-	19	22	3.0	0.6
28	8FB	1108	84.13	84.89	91	65	-	19	22	3.0	0.6
30	8FB	1108	90.20	90.96	97	70	-	19	22	3.0	0.8
32	8FB	1108	96.26	97.02	102	74	-	19	22	3.0	0.9
36	8FB	1108	108.39	109.15	120	87	-	19	22	3.0	1.2
40	8FB	1210	120.51	121.28	128	87	-	19	25	6.0	1.5
48	8FW	1210	144.77	145.53	150	88	124	19	25	6.0	2.3
60	7B	1610	181.15	181.91	-	92	166	19	25	3.0	2.0
72	7A	1610	217.53	218.30	-	92	202	19	25	3.0	3.0
84	7A	1610	253.90	254.68	-	106	236	19	25	3.0	4.0
96	7A	2012	290.30	291.06	-	106	270	19	32	6.5	5.5
120	7A	2012	363.07	363.83	-	106	343	19	32	6.5	6.8



### 3/8" PITCH (9.525mm) L075

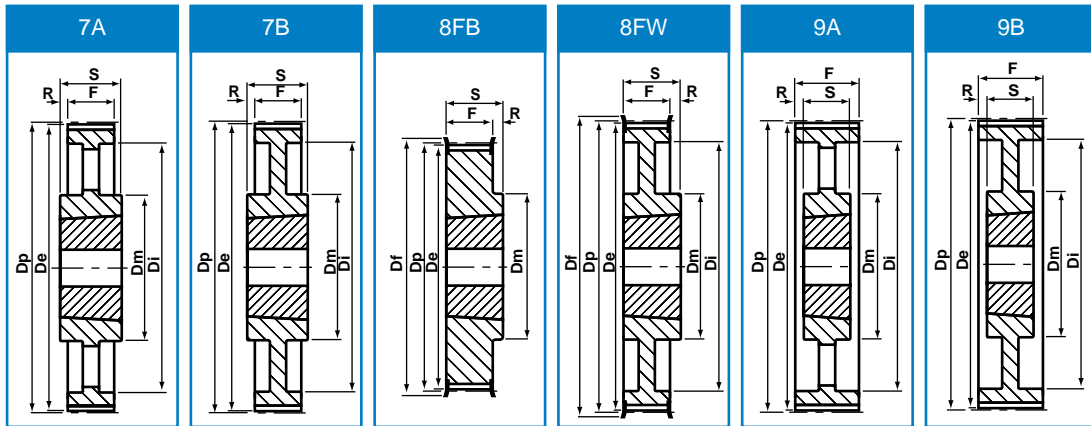
Number of Teeth	Type	Bush Size	De	Dp	Df	Dm	Di	F	S	R	Weight Kg
18	1FB	1108	53.81	54.57	60	-	-	25	25	-	0.2
19	1FB	1108	56.84	57.61	63	-	-	25	25	-	0.3
20	1FB	1108	59.88	60.64	67	-	-	25	25	-	0.3
21	1FB	1108	62.91	63.67	70	-	-	25	25	-	0.4
22	1FB	1108	65.94	66.70	75	-	-	25	25	-	0.4
23	1FB	1108	68.97	69.73	79	-	-	25	25	-	0.4
24	1FB	1108	72.00	72.77	79	-	-	25	25	-	0.5
25	1FB	1108	75.04	75.80	87	-	-	25	25	-	0.6
26	1FB	1108	78.07	78.83	87	-	-	25	25	-	0.6
27	1FB	1108	81.10	81.86	91	-	-	25	25	-	0.7
28	1FB	1108	84.13	84.89	91	-	-	25	25	-	0.7
30	1FB	1108	90.20	90.96	97	-	-	25	25	-	0.9
32	1FB	1108	96.26	97.02	102	-	-	25	25	-	1.0
36	1FB	1210	108.39	109.15	120	-	-	25	25	-	1.2
40	1FB	1210	120.51	121.28	128	-	-	25	25	-	1.7
48	3FB	1610	144.77	145.53	150	92	125	25	25	-	2.5
60	3B	1610	181.15	181.91	-	92	166	25	25	-	3.0
72	3A	1610	217.53	218.30	-	92	202	25	25	-	4.0
84	7A	2012	253.90	254.68	-	106	236	25	32	3.5	5.2
96	7A	2012	290.30	291.06	-	106	270	25	32	3.5	6.5
120	7A	2012	363.07	363.83	-	106	343	25	32	35.0	7.6

Every effort has been taken to ensure that the data listed in this catalogue is correct. Challenge accepts no liability for any inaccuracies or damage caused. All dimensions in millimetres unless otherwise stated.

# Timing Taper Bore

## 3/8" PITCH (9.525mm) L100

Number of Teeth	Type	Bush Size	De	Dp	Df	Dm	Di	F	S	R	Weight Kg
18	5FB	1108	53.81	54.57	60	-	38	31	22	9.0	0.2
19	5FB	1108	56.84	57.61	63	-	38	31	22	9.0	0.3
20	5FB	1108	59.88	60.64	67	-	45	31	22	9.0	0.4
21	5FB	1108	62.91	63.67	70	-	47	31	22	9.0	0.4
22	5FB	1108	65.94	66.70	75	-	51	31	22	9.0	0.4
23	5FB	1108	68.97	69.73	79	-	54	32	22	10.0	0.5
24	5FB	1108	72.00	72.77	79	-	54	32	22	10.0	0.6
25	5FB	1108	75.04	75.80	87	-	56	32	22	10.0	0.6
26	5FB	1108	78.07	78.83	87	-	60	32	22	10.0	0.7
27	5FB	1108	81.10	81.86	91	-	62	32	22	10.0	0.8
28	5FB	1108	84.13	84.89	91	-	65	32	22	10.0	0.8
30	5FB	1210	90.20	90.96	97	-	71	32	25	7.0	0.9
32	5FB	1210	96.26	97.02	102	-	75	32	25	7.0	1.0
36	5FB	1210	108.39	109.15	120	-	89	32	25	7.0	1.4
40	5FB	1610	120.51	121.28	128	-	101	32	25	7.0	1.7
48	5FW	1610	144.77	145.53	150	92	124	32	25	7.0	2.7
60	9B	1610	181.15	181.91	-	92	166	32	25	4.0	2.4
72	3A	2012	217.53	218.30	-	106	202	32	32	-	4.4
84	3A	2012	253.90	254.68	-	106	236	32	32	-	6.0
96	3A	2012	290.30	291.06	-	106	270	32	32	-	7.1
120	3A	2012	363.07	363.83	-	106	343	32	32	-	8.5



## 1/2" PITCH (10.70mm) H100

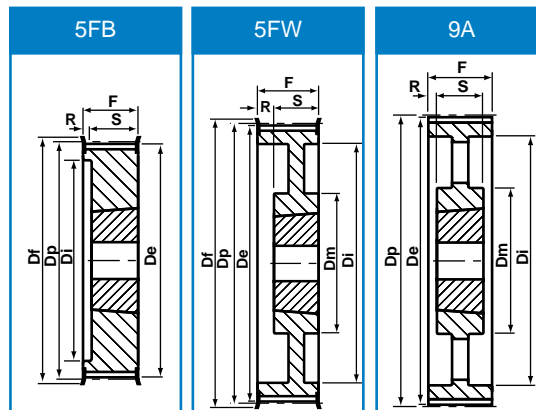
Number of Teeth	Type	Bush Size	De	Dp	Df	Dm	Di	F	S	R	Weight Kg
18	5FB	1210	71.39	72.77	79	-	52	31	25	6.0	0.5
19	5FB	1210	75.44	76.81	83	-	56	31	25	6.0	0.6
20	5FB	1210	79.48	80.55	87	-	60	31	25	6.0	0.7
21	5FB	1210	83.52	84.89	91	-	63	32	25	7.0	0.8
22	5FB	1210	87.56	88.94	94	-	67	32	25	7.0	0.9
23	5FB	1210	91.61	92.98	102	-	70	32	25	7.0	0.9
24	5FB	1610	95.65	97.02	102	-	75	32	25	7.0	1.0
25	5FB	1610	99.69	101.06	112	-	79	32	25	7.0	1.0
26	5FB	1610	103.73	105.11	112	-	83	32	25	7.0	1.2
27	5FB	1610	107.78	109.15	120	-	87	32	25	7.0	1.3
28	5FB	1610	111.82	113.19	120	-	91	32	25	7.0	1.5
30	5FB	1610	119.90	121.28	128	-	99	32	25	7.0	1.7
32	5FW	1610	127.99	129.36	135	92	108	32	25	7.0	2.0
36	5FW	1610	144.16	145.53	158	92	124	32	25	7.0	2.7
40	5FW	1610	160.33	161.70	168	92	140	32	25	7.0	3.6
44	3FB	2012	176.50	177.87	184	106	153	32	32	-	3.8
48	3FB	2012	192.67	194.04	200	106	169	32	32	-	3.2
60	9A	2012	241.18	242.55	-	106	223	34	32	1.0	4.8
72	9A	2012	289.69	291.06	-	106	270	34	32	1.0	5.7
84	9A	2012	338.20	339.57	-	106	318	34	32	1.0	6.8
96	7A	2517	386.71	388.08	-	119	366	34	45	6.0	8.2

All dimensions in millimetres unless otherwise stated. Every effort has been taken to ensure that the data listed in this catalogue is correct. Challenge accepts no liability for any inaccuracies or damage caused

## Timing Taper Bore

### 1/2" PITCH (12.70mm) H150

Number of Teeth	Type	Bush Size	De	Dp	Df	Dm	Di	F	S	R	Weight Kg
18	5FB	1210	71.39	72.77	79	-	53	45	25	20.0	0.6
19	5FB	1210	75.44	76.81	83	-	56	45	25	20.0	0.7
20	5FB	1210	79.48	80.55	87	-	60	45	25	20.0	0.8
21	5FB	1210	83.52	84.89	91	-	64	45	25	20.0	1.0
22	5FB	1210	87.56	88.94	94	-	68	45	25	20.0	1.2
23	5FB	1610	91.61	92.98	102	-	71	45	25	20.0	1.3
24	5FB	1610	95.65	97.02	102	-	74	45	25	20.0	1.0
25	5FB	1610	99.69	101.06	112	-	78	45	25	20.0	1.2
26	5FB	1610	103.73	105.11	112	-	82	45	25	20.0	1.4
27	5FB	1610	107.78	109.15	120	-	87	45	25	20.0	1.6
28	5FB	1610	111.82	113.19	120	-	91	45	25	20.0	1.8
30	5FB	1610	119.90	121.28	128	-	99	45	25	20.0	2.3
32	5FW	1610	127.99	129.36	135	92	108	45	25	20.0	2.3
36	5FW	1610	144.16	145.53	158	92	124	45	25	20.0	3.1
40	5FW	1610	160.33	161.70	168	92	140	45	25	20.0	4.0
44	5FW	2012	176.50	177.87	184	106	153	45	32	13.0	4.4
48	5FW	2012	192.67	194.04	200	106	169	45	32	13.0	4.8
60	9A	2012	241.18	242.55	-	106	223	46	32	7.5	5.4
72	9A	2012	289.69	291.06	-	106	270	46	32	7.5	6.5
84	9A	2012	338.20	339.57	-	106	320	46	32	7.5	8.4
96	9A	2517	386.71	388.08	-	119	366	46	45	0.5	11.0



### 1/2" PITCH (12.70mm) H200

Number of Teeth	Type	Bush Size	De	Dp	Df	Dm	Di	F	S	R	Weight Kg
18	5FB	1210	71.39	72.77	79	-	52	58	25	33.0	0.8
19	5FB	1210	75.44	76.81	83	-	56	58	25	33.0	0.9
20	5FB	1610	79.48	80.55	87	-	60	58	25	33.0	1.0
21	5FB	1610	83.52	84.89	91	-	64	58	25	33.0	1.7
22	5FB	1610	87.56	88.94	94	-	68	58	25	33.0	1.5
23	5FB	1610	91.61	92.98	102	-	71	58	25	33.0	1.8
24	5FB	1610	95.65	97.02	102	-	74	58	25	33.0	1.5
25	5FB	1610	99.69	101.06	112	-	78	58	25	33.0	1.5
26	5FB	1610	103.73	105.11	112	-	82	58	25	33.0	1.8
27	5FB	1610	107.78	109.15	120	-	87	58	25	33.0	1.9
28	5FB	1610	111.82	113.19	120	-	91	58	25	33.0	2.3
30	5FB	1610	119.90	121.28	128	-	99	58	25	33.0	3.0
32	5FB	2012	127.99	129.36	135	-	107	58	32	26.0	3.0
36	5FW	2012	144.16	145.53	158	102	124	58	32	26.0	3.6
40	5FW	2012	160.33	161.70	168	106	140	58	32	26.0	4.0
44	5FW	2012	176.50	177.87	184	106	153	58	32	26.0	4.6
48	5FW	2517	192.67	194.04	200	119	169	58	45	13.0	7.0
60	9A	2517	241.18	242.55	-	119	223	60	45	7.5	8.0
72	9A	2517	289.69	291.06	-	119	270	60	45	7.5	9.0
84	9A	2517	338.20	339.57	-	119	320	60	45	7.5	10.0
96	9A	2517	386.71	388.08	-	119	366	60	45	7.5	13.4

Every effort has been taken to ensure that the data listed in this catalogue is correct. Challenge accepts no liability for any inaccuracies or damage caused. All dimensions in millimetres unless otherwise stated.

# Timing Taper Bore

## 1/2" PITCH (12.70mm) H300

Number of Teeth	Type	Bush Size	De	Dp	Df	Dm	Di	F	S	R	Weight Kg
20	4FB	1615	79.48	80.85	87	-	65	84	38	23.0	1.5
21	4FB	1615	83.52	84.89	91	-	66	84	38	23.0	12.0
22	4FB	1615	87.56	88.94	94	-	67	84	38	23.0	1.6
23	4FB	1615	91.61	92.98	102	-	71	84	38	23.0	1.8
24	4FB	1615	95.65	97.02	102	-	75	84	38	23.0	2.1
25	4FB	1615	99.69	101.06	112	-	79	84	38	23.0	2.0
26	4FB	1615	103.73	105.11	112	-	83	84	38	23.0	2.7
27	4FB	2012	107.78	109.15	120	-	87	84	32	26.0	3.0
28	4FB	2012	111.82	113.19	120	-	91	84	32	26.0	2.4
30	4FB	2012	119.90	121.28	128	-	99	84	32	26.0	2.9
32	4FB	2517	127.99	129.36	135	-	107	84	45	19.5	3.3
36	4FB	2517	144.16	145.53	158	-	124	84	45	19.5	4.5
40	4FB	2517	160.33	161.70	168	-	137	84	45	19.5	6.0
44	4FW	2517	176.50	177.87	184	119	153	86	45	20.5	6.5
48	4FW	2517	192.67	194.04	200	119	169	86	45	20.5	7.6
60	9A	2517	241.18	242.55	-	119	223	86	45	20.5	8.4
72	9A	2517	289.69	291.06	-	119	270	86	45	20.5	10.4
84	9A	2517	338.20	339.57	-	119	320	86	45	20.5	12.5
96	9A	3030	386.71	338.08	-	150	362	86	76	5.0	14.2
120	9A	3030	483.73	485.10	-	150	460	86	76	5.0	18.8

