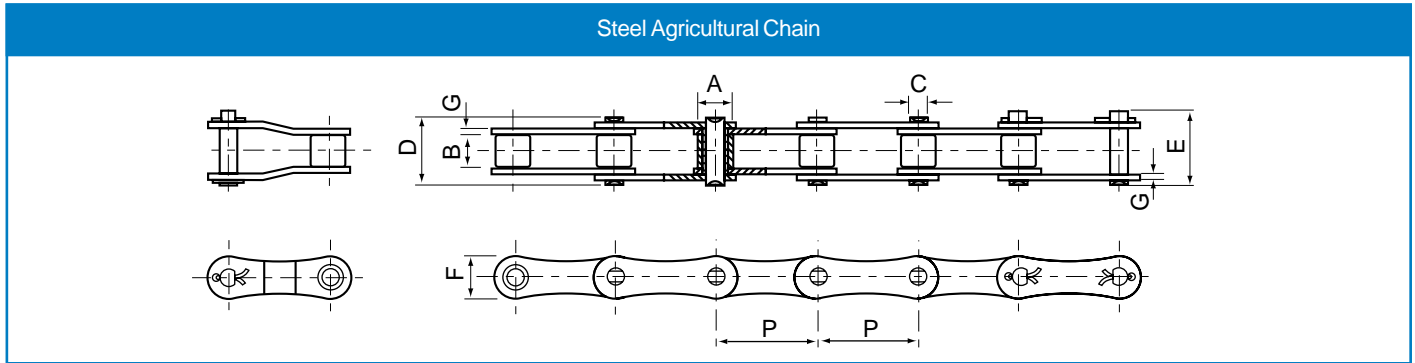


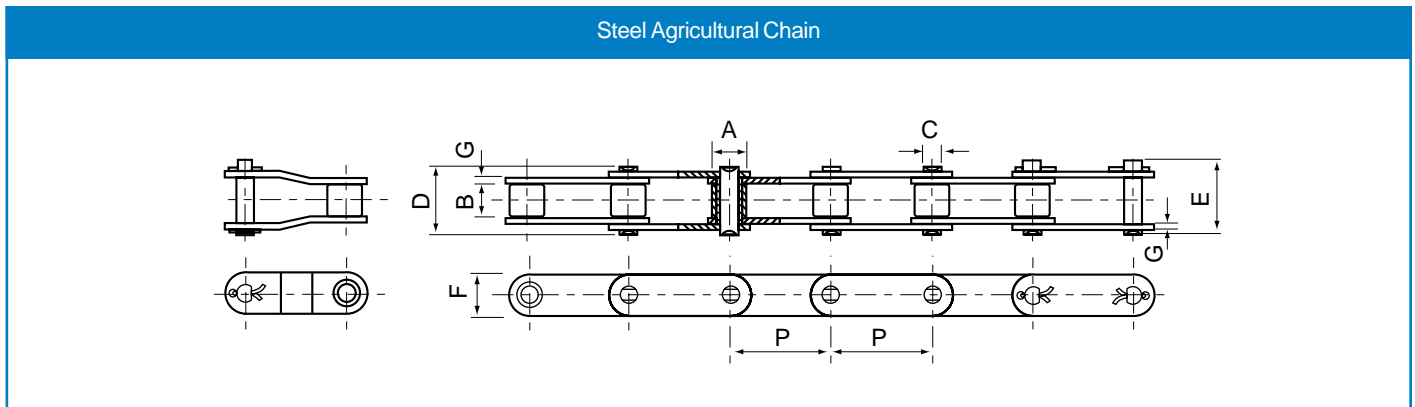
# Agricultural Chain

## Steel Agricultural Chain



Chain No.	Pitch	Roller diameter	Width between inner plates	Pin diameter	Pin length		Inner plate height	Plate thickness	Minimum tensile strength	Average tensile strength	Weight per meter
	P mm	A mm	B mm	C mm	D mm	E mm	F mm	G mm	kN	kN	kg/m
S32	29.210	11.43	15.88	4.45	26.70	28.80	13.20	1.80	8.00	21.60	0.86
S42	34.930	14.27	19.05	7.00	34.30	37.00	19.80	2.80	27.00	50.80	1.60
S45	41.400	15.24	22.23	5.72	37.70	40.40	17.30	2.80	18.00	36.10	1.66
S52	38.100	15.24	22.23	5.72	37.70	40.40	17.30	2.80	18.00	36.10	1.68
S55	41.400	17.78	22.23	5.72	37.70	40.40	17.30	2.80	18.00	36.10	1.80
S55R	41.400	17.78	22.23	8.90	41.00	44.00	22.40	3.50	45.00	73.10	2.49
S62	41.910	19.05	25.40	5.72	40.30	43.00	17.30	2.50	27.00	36.10	1.87
S77	58.340	18.26	22.23	8.90	43.20	46.40	26.20	4.00	45.00	73.10	2.65
S88	66.270	22.86	28.58	8.90	49.80	53.00	26.20	4.00	45.00	73.10	3.25

## Steel Agricultural Chain



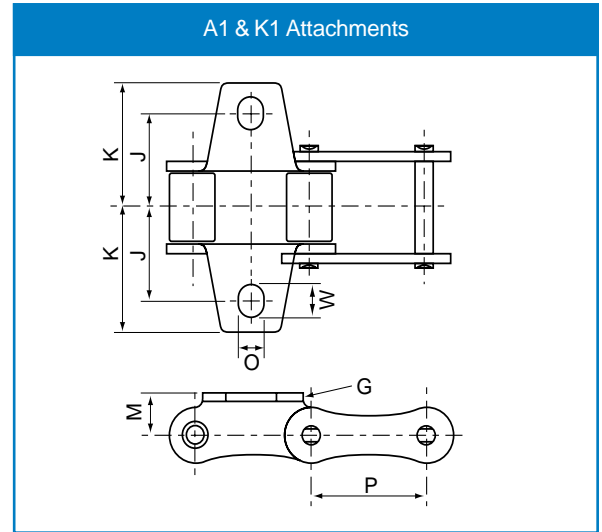
Chain No.	Pitch	Roller diameter	Width between inner plates	Pin diameter	Pin length		Inner plate height	Plate thickness	Minimum tensile strength	Average tensile strength	Weight per meter
	P mm	A mm	B mm	C mm	D mm	E mm	F mm	G mm	kN	kN	kg/m
38.4	38.400	15.88	19.05	6.92	33.80	37.00	17.30	2.50	25.00	33.00	1.65
38.4-V	38.400	15.88	18.00	6.92	33.80	37.00	17.30	3.00	31.50	40.00	1.74
38.4-VB	38.400	15.88	19.05	8.27	36.20	39.40	20.50	3.00	45.00	50.00	2.12
CA550	41.400	16.87	19.81	7.19	35.00	38.00	19.30	2.80	39.10	51.20	1.94
CA555	41.400	16.87	12.70	7.19	29.70	33.10	19.30	3.10	39.10	56.00	1.83
CA557	41.400	17.78	20.24	8.00	37.40	40.60	23.10	3.10	55.61	74.30	2.20
CA620	42.010	17.91	24.51	7.19	41.80	45.20	20.20	3.25	39.10	55.10	2.35
CA650	50.800	25.00	27.80	9.53	40.40	44.70	25.00	4.00	80.00	95.50	3.49
CA2060H	38.100	11.91	12.70	5.94	29.74	31.72	17.45	3.25	31.28	40.50	1.50
CA2063H	38.100	11.89	12.70	5.94	29.40	34.20	19.30	3.25	31.28	40.50	1.65

Every effort has been taken to ensure that the data listed in this catalogue is correct. Challenge accepts no liability for any inaccuracies or damage caused. All dimensions in millimetres unless otherwise stated.

# Agricultural Chain Attachments

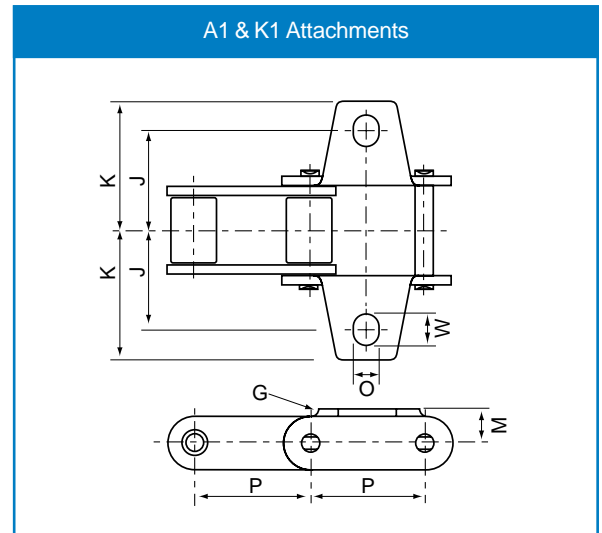
## S Series A1 & K1 Attachments

Chain No.	P mm	G mm	J mm	K mm	M mm	ØO mm	W mm
S32	29.21	1.80	21.50	30.50	8.60	5.30	6.90
S42	34.93	2.80	27.00	37.45	14.00	8.30	11.50
S45	41.40	2.80	27.00	37.50	11.40	8.50	11.70
S52	38.10	2.80	29.40	39.00	11.40	8.30	9.90
S55	41.40	2.80	27.00	37.50	11.40	8.50	11.70
S62	41.91	2.50	33.40	47.70	11.40	6.50	13.00
S77	58.34	4.00	38.10	50.80	20.80	8.40	11.70
S88	66.27	4.00	48.50	59.70	20.80	8.40	10.00



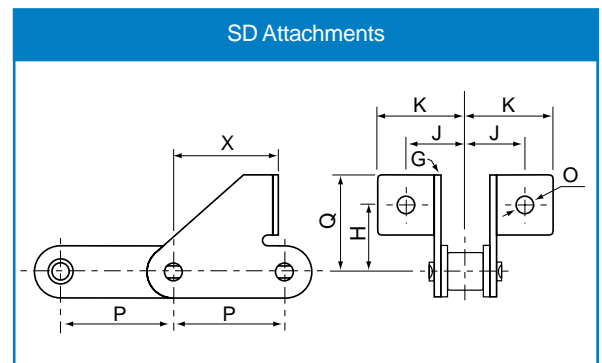
## 38.4 & CA Series A1 & K1 Attachments

Chain No.	P mm	G mm	J mm	K mm	M mm	ØO mm	W mm
38.4	38.40	2.50	29.00	41.50	15.40	9.00	
38.4-V	38.40	3.00	28.75	41.00	15.40	9.00	
38.4-VB	38.40	3.00	29.00	43.50	14.00	10.50	
CA550	41.40	2.80	26.25	38.10	12.70	8.30	10.00
CA557	41.40	3.10	25.40	36.00	15.90	8.70	



## S, 38.4 & CA Series SD Attachments

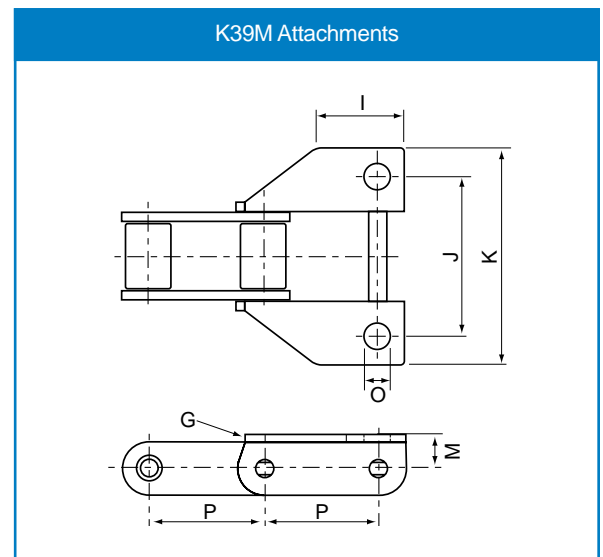
Chain No.	P mm	G mm	Q mm	J mm	K mm	H mm	X mm	ØO mm
S45	41.40	2.80	26.00	29.00	44.25	16.00	24.00	6.40
S55	41.40	2.80	26.00	29.00	44.25	16.00	24.00	6.40
38.4	38.40	2.50	37.00	26.00	35.50	24.00	38.40	8.40
38.4-VB	38.40	3.00	34.00	26.00	35.50	25.00	32.40	6.50
CA550	41.40	2.80	42.90	23.80	34.10	31.00	36.90	8.70



# Agricultural Chain Attachments

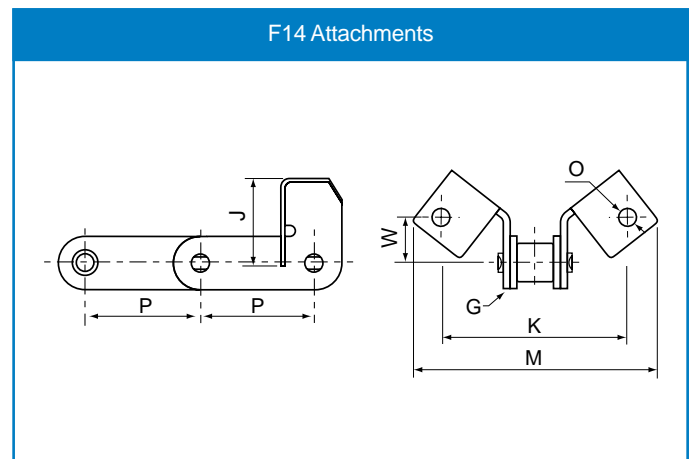
## CA Series K39M Attachments

Chain No.	P mm	G mm	I mm	J mm	K mm	M mm	ØO mm
CA550	41.40	2.8	30.0	50.80	72.00	12.70	9.50
CA557	41.40	3.1	38.1	53.94	76.20	14.60	9.90



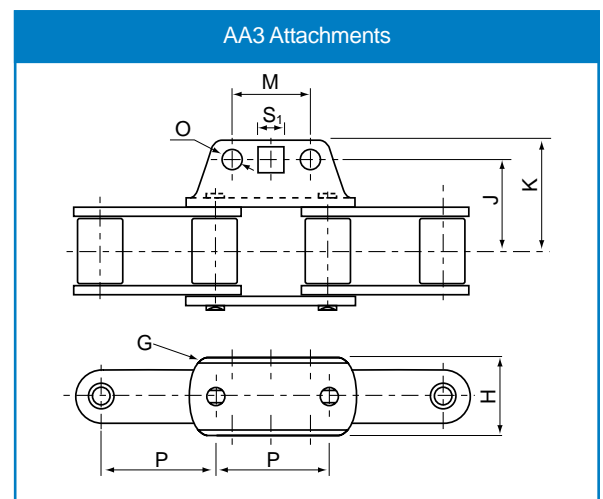
## CA Series F14 Attachments

Chain No.	P mm	G mm	J mm	K mm	M mm	ØO mm	W mm
CA550	41.40	2.8	31.75	79.40	101.60	8.33	15.90
CA557	41.40	3.1	31.75	79.40	101.60	8.33	15.90



## CA Series AA3 Attachments

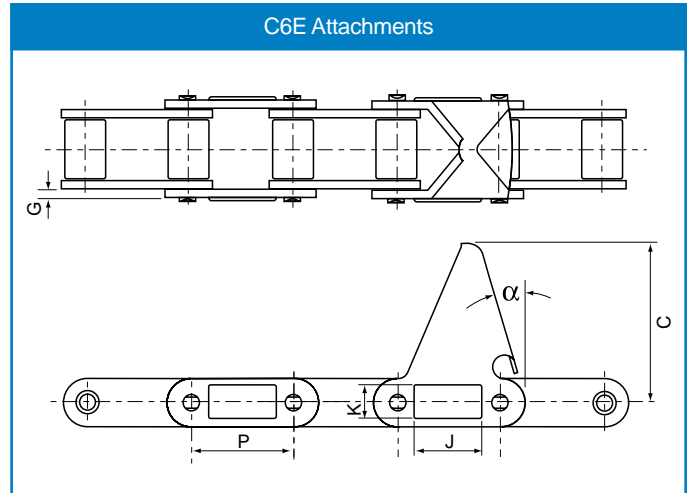
Chain No.	P mm	G mm	J mm	K mm	M mm	H mm	ØO mm	S <sub>1</sub> mm
CA557	41.40	3.10	31.90	43.29	30.20	31.06	8.20	9.73



# Agricultural Chain Attachments

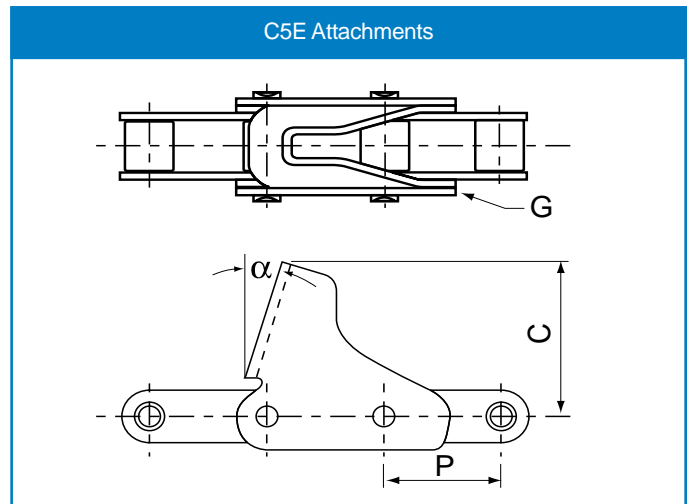
## CA Series C6E Attachments

Chain No.	P mm	G mm	C mm	J mm	K mm	$\alpha$ °
CA550	41.40	2.80	55.60	23.60	13.50	20.0
CA555	41.40	3.10	63.50	23.60	13.50	15.0
C2060H	38.10	3.25	63.50	-	-	22.5



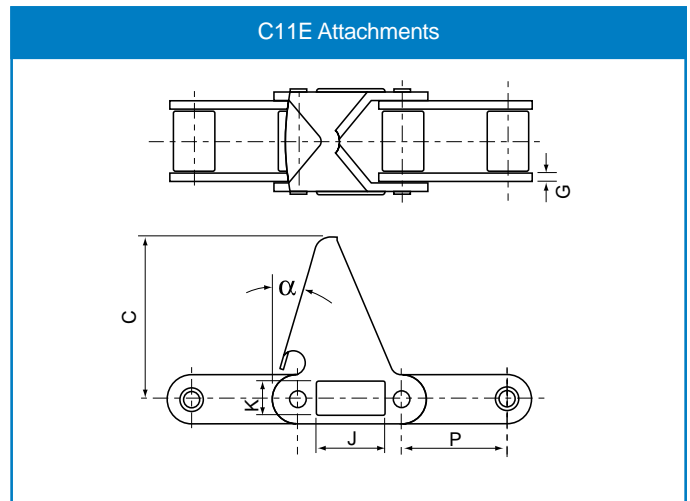
## CA Series C5E Attachments

Chain No.	P mm	G mm	C mm	$\alpha$ °
CA550	41.40	2.8	59.00	15
CA555	41.40	3.1	57.15	15



## CA Series C11E Attachments

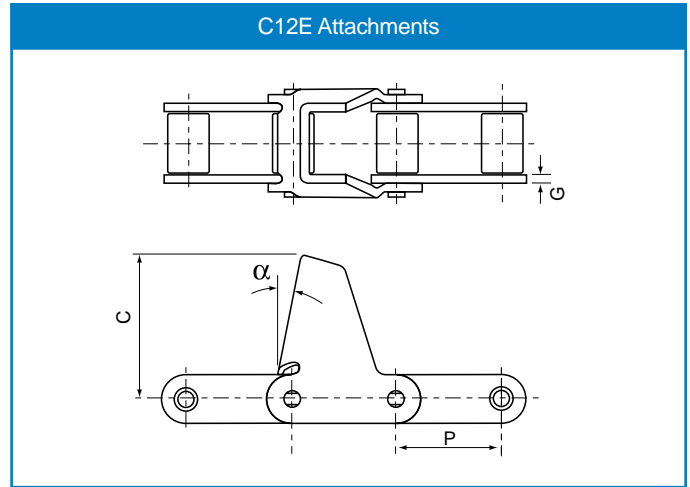
Chain No.	P mm	G mm	C mm	J mm	K mm	$\alpha$ °
CA550	41.40	2.80	59.00	23.60	13.50	15



# Agricultural Chain Attachments

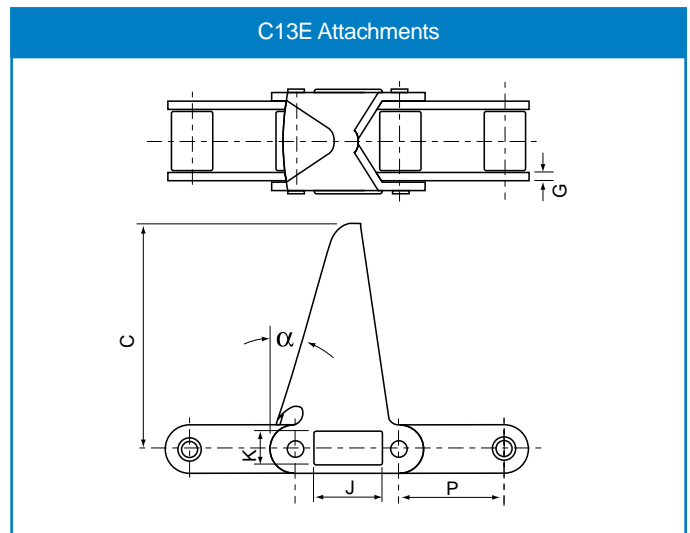
## CA Series C12E Attachments

Chain No.	P mm	G mm	C mm	$\alpha$ °
CA550	41.40	2.8	59.00	9



## CA Series C13E Attachments

Chain No.	P mm	G mm	C mm	J mm	K mm	$\alpha$ °
CA550	41.40	2.80	92.10	23.60	13.50	15



## CA Series C17E Attachments

Chain No.	P mm	G mm	C mm	J mm	K mm	$\alpha$ °
CA550	41.40	2.80	76.20	23.60	13.50	15

