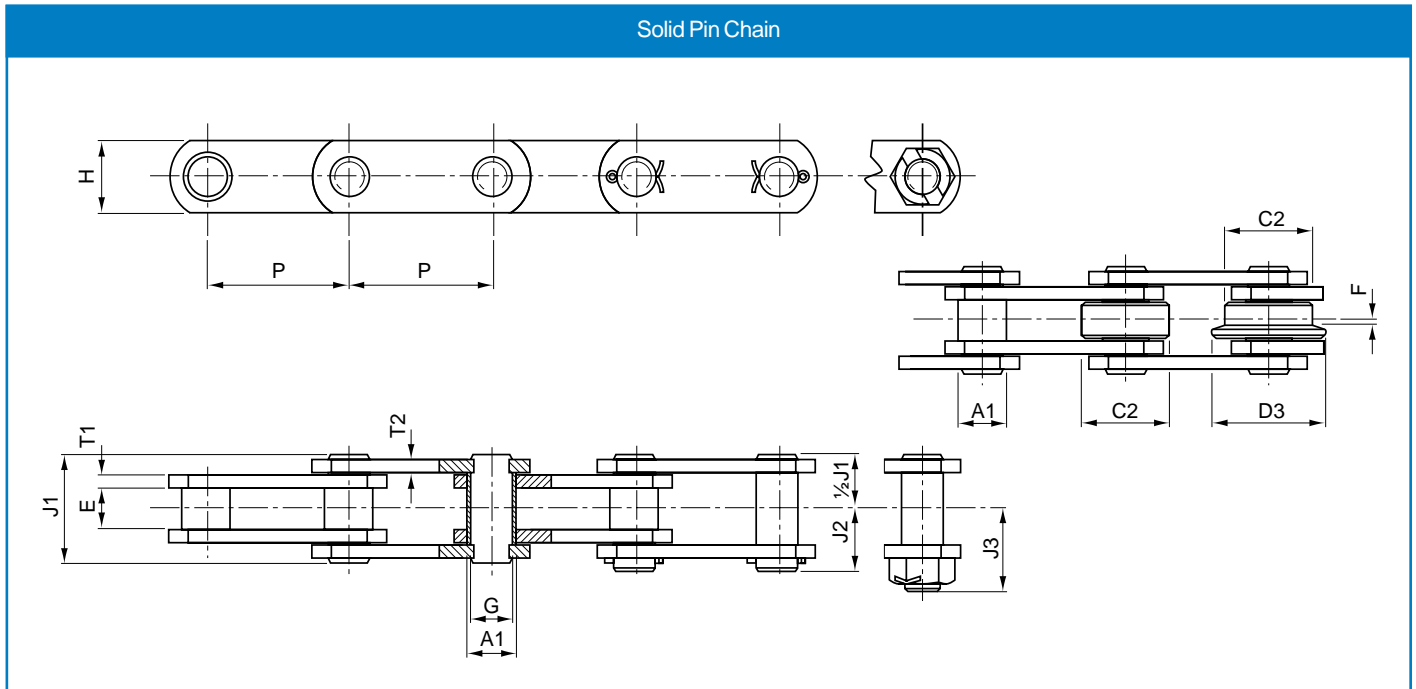


Conveyor Chain

Solid Pin

BS Conveyor Chain (BS 4116 Part 4)



Solid Pin Chain

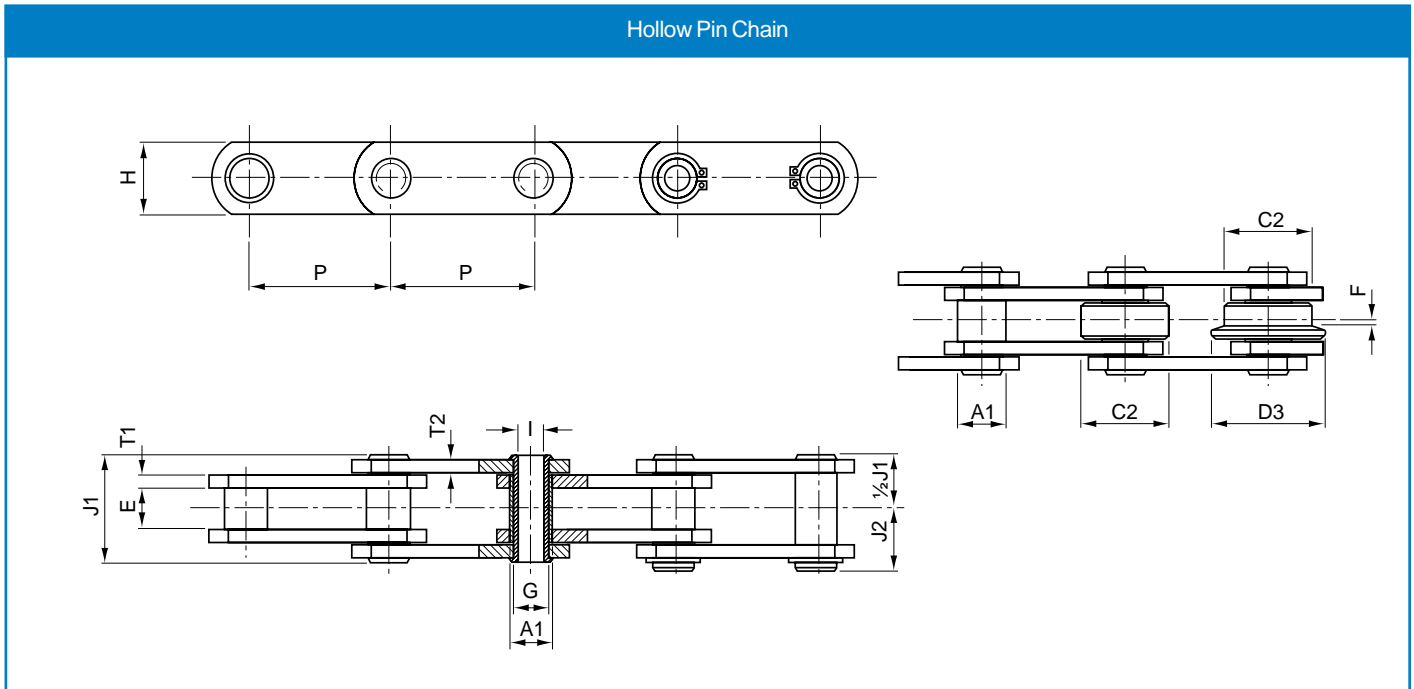
| Chain Number | Minimum Breaking (Load) lbf | Pitch Inches | Pitch mm | E | C2 | D3 | F | A1 | G | H | T1 | T2 | J1 | J2 | J3 | Breaking Load | | | Weight (Type C) kg/m |
|--------------|-----------------------------|--------------|----------|----|-------|-----|-----|----|------|----|----|----|----|------|------|---------------|-----------|------------|----------------------|
| | | | | | | | | | | | | | | | | Minimum N | Average N | Up-rated N | |
| C40 | 7 500 | 2.0 | 50.8 | 15 | 31.75 | 40 | 2.5 | 17 | 14 | 25 | 4 | 4 | 37 | 22 | 28.5 | 33 000 | 40 000 | 50 000 | 4.0 |
| C40 | " | 2.5 | 63.5 | " | " | " | " | " | " | " | " | " | " | " | " | " | " | " | 3.5 |
| C40 | " | 3.0 | 76.2 | " | " | " | " | " | " | " | " | " | " | " | " | " | " | " | 3.2 |
| C40 | " | 3.5 | 88.9 | " | " | " | " | " | " | " | " | " | " | " | " | " | " | " | 3.0 |
| C40 | " | 4.0 | 101.6 | " | " | " | " | " | " | " | " | " | " | " | " | " | " | " | 2.8 |
| C40 | " | 5.0 | 127.0 | " | " | " | " | " | " | " | " | " | " | " | " | " | " | " | 2.6 |
| C40 | " | 6.0 | 152.4 | " | " | " | " | " | " | " | " | " | " | " | " | " | " | " | 2.4 |
| C100 | 15 000 | 3.0 | 76.2 | 19 | 47.5 | 60 | 3.5 | 23 | 19 | 40 | 5 | 4 | 45 | 28 | 37 | 67 000 | 100 000 | 130 000 | 7.7 |
| C100 | " | 3.5 | 88.9 | " | " | " | " | " | " | " | " | " | " | " | " | " | " | " | 7.0 |
| C100 | " | 4.0 | 101.6 | " | " | " | " | " | " | " | " | " | " | " | " | " | " | " | 6.5 |
| C100 | " | 5.0 | 127.0 | " | " | " | " | " | " | " | " | " | " | " | " | " | " | " | 5.8 |
| C100 | " | 6.0 | 152.4 | " | " | " | " | " | " | " | " | " | " | " | " | " | " | " | 5.3 |
| C100 | " | 7.0 | 177.8 | " | " | " | " | " | " | " | " | " | " | " | " | " | " | " | 5.0 |
| C100 | " | 8.0 | 203.2 | " | " | " | " | " | " | " | " | " | " | " | " | " | " | " | 4.7 |
| C160 | 30 000 | 4.0 | 101.6 | 26 | 66.7 | 82 | 3.5 | 33 | 26.9 | 50 | 7 | 5 | 58 | 34.5 | 51 | 134 000 | 156 000 | 200 000 | 14.3 |
| C160 | " | 5.0 | 127.0 | " | " | " | " | " | " | " | " | " | " | " | " | " | " | " | 12.5 |
| C160 | " | 6.0 | 152.4 | " | " | " | " | " | " | " | " | " | " | " | " | " | " | " | 11.3 |
| C160 | " | 7.0 | 177.8 | " | " | " | " | " | " | " | " | " | " | " | " | " | " | " | 10.5 |
| C160 | " | 8.0 | 203.2 | " | " | " | " | " | " | " | " | " | " | " | " | " | " | " | 9.8 |
| C160 | " | 9.0 | 228.6 | " | " | " | " | " | " | " | " | " | " | " | " | " | " | " | 9.3 |
| C160 | " | 10.0 | 254.0 | " | " | " | " | " | " | " | " | " | " | " | " | " | " | " | 9.0 |
| C300 | 45 000 | 6.0 | 152.4 | 38 | 88.9 | 114 | 8.5 | 38 | 28 | 60 | 10 | 8 | 83 | 47 | 70 | 200 000 | 300 000 | 340 000 | 24.3 |
| C300 | " | 7.0 | 177.8 | " | " | " | " | " | " | " | " | " | " | " | " | " | " | " | 22.0 |
| C300 | " | 8.0 | 203.2 | " | " | " | " | " | " | " | " | " | " | " | " | " | " | " | 21.0 |
| C300 | " | 10.0 | 254.0 | " | " | " | " | " | " | " | " | " | " | " | " | " | " | " | 18.0 |
| C300 | " | 12.0 | 304.8 | " | " | " | " | " | " | " | " | " | " | " | " | " | " | " | 16.5 |
| C300/60 | 60 000 | 6.0 | 152.4 | 38 | 88.9 | 114 | 8.5 | 38 | 32 | 60 | 10 | 8 | 84 | 52 | 71 | 267 000 | 300 000 | 380 000 | 24.0 |
| C300/60 | " | 7.0 | 177.8 | " | " | " | " | " | " | " | " | " | " | " | " | " | " | " | 21.8 |
| C300/60 | " | 8.0 | 203.2 | " | " | " | " | " | " | " | " | " | " | " | " | " | " | " | 20.0 |
| C300/60 | " | 10.0 | 254.0 | " | " | " | " | " | " | " | " | " | " | " | " | " | " | " | 17.7 |
| C300/60 | " | 12.0 | 304.8 | " | " | " | " | " | " | " | " | " | " | " | " | " | " | " | 16.0 |

Up-rated breaking load chain has heat treated side plates.

Conveyor Chain

Hollow Pin

BS Conveyor Chain (BS 4116 Part 4)



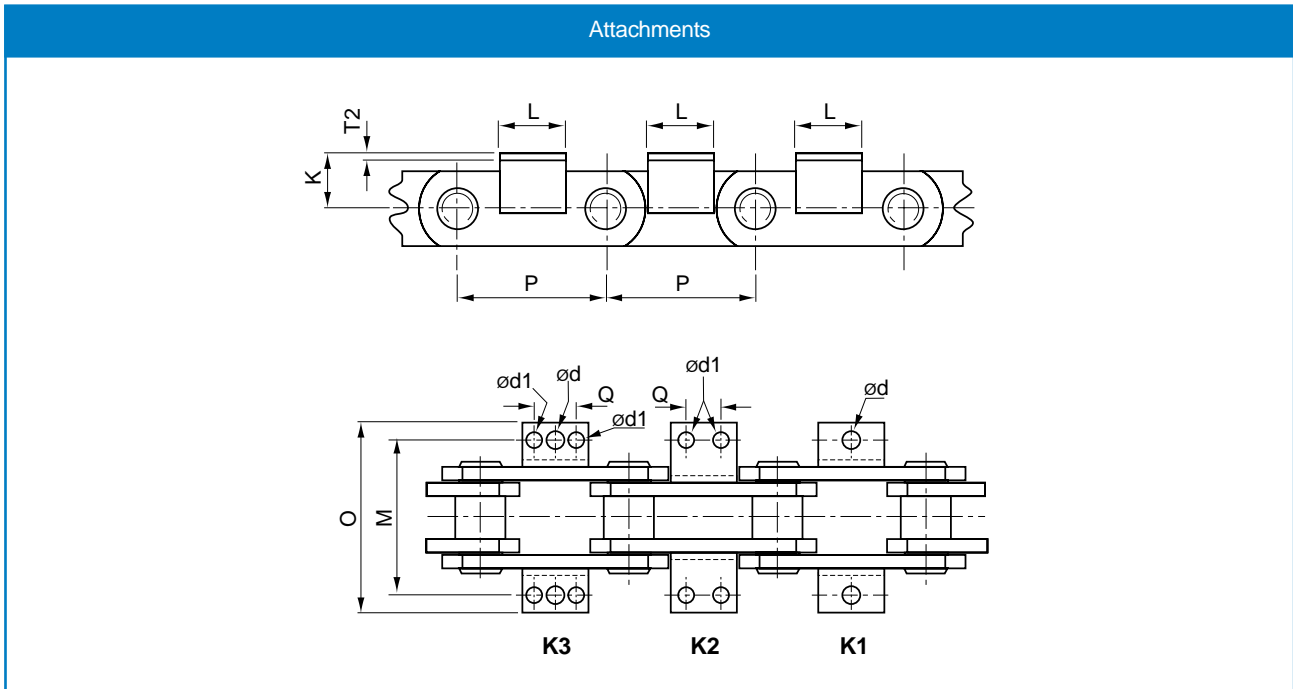
Hollow Pin Chain

| Chain Number | Minimum Breaking (Load) lbf | Pitch Inches | Pitch mm | E | C2 | D3 | F | A1 | G | I | H | T1 | T2 | J1 | J2 | Breaking Load | | | Weight (Type C) kg/m |
|--------------|-----------------------------|--------------|----------|------|-------|-----|-----|----|------|------|----|-----|-----|------|------|---------------|-----------|------------|----------------------|
| | | | | | | | | | | | | | | | | Minimum N | Average N | Up-rated N | |
| CC21 | 4 500 | 1.5 | 38.1 | 12.7 | 25.4 | / | / | 11 | 9 | 6.5 | 18 | 2.5 | 2.5 | 26 | 14.5 | 20 000 | 21 000 | / | 2.2 |
| CC21 | " | 2.0 | 50.8 | " | " | " | " | " | " | " | " | " | " | " | " | " | " | " | 1.7 |
| CC21 | " | 2.5 | 63.5 | " | " | " | " | " | " | " | " | " | " | " | " | " | " | " | 1.6 |
| CC21 | " | 3.0 | 76.2 | " | " | " | " | " | " | " | " | " | " | " | " | " | " | " | 1.4 |
| CC40 | 6 000 | 2.0 | 50.8 | 15 | 31.75 | 40 | 2.5 | 17 | 14 | 10.2 | 25 | 4 | 4 | 36.4 | 19.5 | 27 000 | 40 000 | 50 000 | 3.6 |
| CC40 | " | 2.5 | 63.5 | " | " | " | " | " | " | " | " | " | " | " | " | " | " | " | 3.2 |
| CC40 | " | 3.0 | 76.2 | " | " | " | " | " | " | " | " | " | " | " | " | " | " | " | 3.0 |
| CC40 | " | 3.5 | 88.9 | " | " | " | " | " | " | " | " | " | " | " | " | " | " | " | 2.8 |
| CC40 | " | 4.0 | 101.6 | " | " | " | " | " | " | " | " | " | " | " | " | " | " | " | 2.6 |
| CC40 | " | 5.0 | 127.0 | " | " | " | " | " | " | " | " | " | " | " | " | " | " | " | 2.4 |
| CC40 | " | 6.0 | 152.4 | " | " | " | " | " | " | " | " | " | " | " | " | " | " | " | 2.3 |
| CC60 | 12 000 | 3.0 | 76.2 | 19 | 47.5 | 60 | 3.5 | 23 | 19 | 13.2 | 40 | 5 | 4 | 45 | 23.5 | 54 000 | 60 000 | 120 000 | 7.0 |
| CC60 | " | 3.5 | 88.9 | " | " | " | " | " | " | " | " | " | " | " | " | " | " | " | 6.4 |
| CC60 | " | 4.0 | 101.6 | " | " | " | " | " | " | " | " | " | " | " | " | " | " | " | 6.0 |
| CC60 | " | 5.0 | 127.0 | " | " | " | " | " | " | " | " | " | " | " | " | " | " | " | 5.3 |
| CC60 | " | 6.0 | 152.4 | " | " | " | " | " | " | " | " | " | " | " | " | " | " | " | 4.9 |
| CC60 | " | 7.0 | 177.8 | " | " | " | " | " | " | " | " | " | " | " | " | " | " | " | 4.6 |
| CC60 | " | 8.0 | 203.2 | " | " | " | " | " | " | " | " | " | " | " | " | " | " | " | 4.4 |
| CC150 | 24 000 | 4.0 | 101.6 | 26 | 66.7 | 82 | 4 | 33 | 26.9 | 20.2 | 50 | 7 | 5 | 58 | 31.5 | 107 000 | 150 000 | 190 000 | 12.8 |
| CC150 | " | 5.0 | 127.0 | " | " | " | " | " | " | " | " | " | " | " | " | " | " | " | 11.3 |
| CC150 | " | 6.0 | 152.4 | " | " | " | " | " | " | " | " | " | " | " | " | " | " | " | 11.0 |
| CC150 | " | 7.0 | 177.8 | " | " | " | " | " | " | " | " | " | " | " | " | " | " | " | 9.5 |
| CC150 | " | 8.0 | 203.2 | " | " | " | " | " | " | " | " | " | " | " | " | " | " | " | 9.0 |
| CC150 | " | 9.0 | 228.6 | " | " | " | " | " | " | " | " | " | " | " | " | " | " | " | 8.6 |
| CC150 | " | 10.0 | 254.0 | " | " | " | " | " | " | " | " | " | " | " | " | " | " | " | 8.2 |
| CC300 | 36 000 | 6.0 | 152.4 | 38 | 88.9 | 114 | 8.5 | 38 | 32 | 22.5 | 60 | 10 | 8 | 83 | 43.5 | 160 000 | 300 000 | 380 000 | 22.3 |
| CC300 | " | 7.0 | 177.8 | " | " | " | " | " | " | " | " | " | " | " | " | " | " | " | 20.2 |
| CC300 | " | 8.0 | 203.2 | " | " | " | " | " | " | " | " | " | " | " | " | " | " | " | 18.8 |
| CC300 | " | 10.0 | 254.0 | " | " | " | " | " | " | " | " | " | " | " | " | " | " | " | 16.4 |
| CC300 | " | 12.0 | 304.8 | " | " | " | " | " | " | " | " | " | " | " | " | " | " | " | 15.2 |

Up-rated breaking load chain has heat treated side plates.

Conveyor Chain Attachments

Conveyor Attachments



Conveyor Attachments

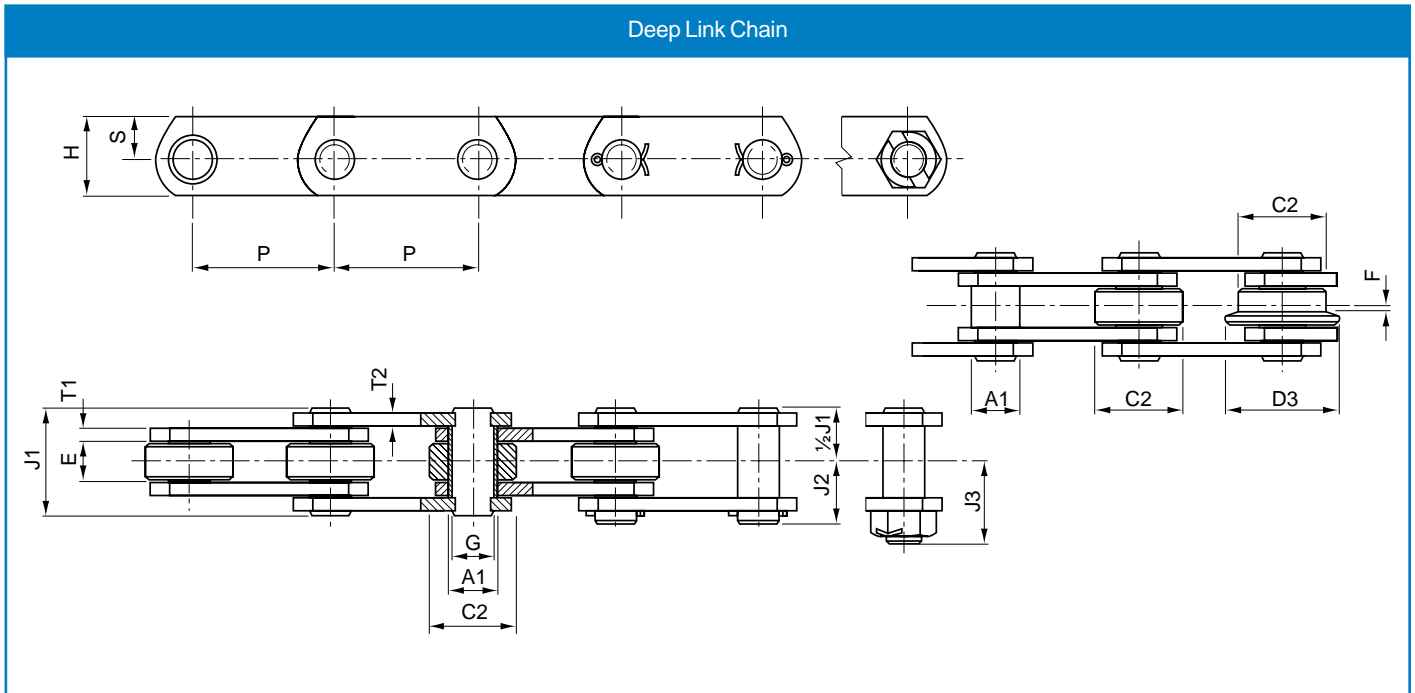
| Chain Number | Minimum Breaking Load lbf | Pitch Inches | Pitch mm | Attachment Type | K | M | L | d | d1 | O | Q | Average Weight (Ea) kg |
|--------------|---------------------------|--------------|----------|-----------------|----|-------|-------|------|------|-----|-------|------------------------|
| CC40 / C40 | 6 000 / 7 500 | 2.0 | 50.8 | K1 | 19 | 76.2 | 45.0 | 10.7 | / | 129 | / | 0.10 |
| CC40 / C40 | " | 2.5 | 63.5 | K1, K2 | " | " | 43.0 | " | 9.3 | 112 | 22.2 | 0.10 |
| CC40 / C40 | " | 3.0 | 76.2 | K3 | " | " | " | " | " | 136 | " | 0.10 |
| CC40 / C40 | " | 3.5 | 88.9 | K1, K2, K3 | " | " | 50.0 | " | " | 112 | 31.8 | 0.10 |
| CC40 / C40 | " | 4.0 | 101.6 | K3 | " | " | 64.0 | " | " | 110 | " | 0.10 |
| CC40 / C40 | " | 5.0 | 127.0 | K3 | " | " | 85.0 | " | " | 112 | 57.2 | 0.20 |
| CC40 / C40 | " | 6.0 | 152.4 | K3 | " | " | 88.0 | " | " | " | " | 0.20 |
| CC100 / C100 | 12 000 / 15 000 | 3.0 | 76.2 | K1 | 32 | 89.0 | 30.0 | 14.0 | / | 130 | / | 0.12 |
| CC100 / C100 | " | 3.5 | 88.9 | K1 | " | " | " | " | / | " | / | 0.12 |
| CC100 / C100 | " | 4.0 | 101.6 | K3 | " | " | 64.0 | " | 10.5 | " | 31.8 | 0.10 |
| CC100 / C100 | " | 5.0 | 127.0 | K1, K2 | " | " | 84.0 | " | " | " | 57.2 | 0.30 |
| CC100 / C100 | " | 6.0 | 152.4 | K3 | " | " | 114.5 | " | " | " | " | 0.32 |
| CC100 / C100 | " | 7.0 | 177.8 | K1, K2 | " | " | 110.0 | " | " | " | 80.0 | 0.40 |
| CC100 / C100 | " | 8.0 | 203.2 | K1, K2 | " | " | " | " | " | " | " | 0.40 |
| CC160 / C160 | 24 000 / 30 000 | 4.0 | 101.6 | K1 | 38 | 108.0 | 35.0 | 15.5 | / | 154 | / | 0.19 |
| CC160 / C160 | " | 5.0 | 127.0 | K1, K2 | " | " | 56.0 | " | 12.3 | " | 31.7 | 0.30 |
| CC160 / C160 | " | 6.0 | 152.4 | K1, K2 | " | " | 84.0 | " | " | " | 57.2 | 0.38 |
| CC160 / C160 | " | 7.0 | 177.8 | K1, K2 | " | " | " | " | " | " | " | 0.38 |
| CC160 / C160 | " | 8.0 | 203.2 | K1, K2 | " | " | 130.0 | " | " | " | 100.0 | 0.60 |
| CC160 / C160 | " | 9.0 | 228.6 | K1, K2 | " | " | 150.0 | " | " | " | " | 0.69 |
| CC160 / C160 | " | 10.0 | 254.0 | K1, K2 | " | " | 170.0 | " | " | " | 135.0 | 0.75 |
| CC300 / C300 | 36 000 / 45 000 | 6.0 | 152.4 | K1 | 51 | 146.0 | 70.0 | 17.0 | / | 200 | 38.1 | 0.50 |
| CC300 / C300 | " | 7.0 | 177.8 | K1 | " | " | " | " | / | " | " | 0.50 |
| CC300 / C300 | " | 8.0 | 203.2 | K1, K2 | " | " | 100.0 | " | 14.0 | " | 76.2 | 0.70 |
| CC300 / C300 | " | 10.0 | 254.0 | K1, K2 | " | " | 152.4 | " | " | " | 90.0 | 0.90 |
| CC300 / C300 | " | 12.0 | 304.8 | K1, K2 | " | " | 225.0 | " | " | " | 190.0 | 1.60 |
| C300 / 60 | 60 000 | 6.0 | 152.4 | K1 | 51 | 146.0 | 70.0 | 17.0 | / | 200 | 38.1 | 0.50 |
| C300 / 60 | " | 7.0 | 177.8 | K1 | " | " | " | " | / | " | " | 0.50 |
| C300 / 60 | " | 8.0 | 203.2 | K1, K2 | " | " | 100.0 | " | 14.0 | " | 76.2 | 0.70 |
| C300 / 60 | " | 10.0 | 254.0 | K1, K2 | " | " | 152.4 | " | " | " | 90.0 | 0.90 |
| C300 / 60 | " | 12.0 | 304.8 | K1, K2 | " | " | 225.0 | " | " | " | 190.0 | 1.60 |

All dimensions in millimetres unless otherwise stated. Every effort has been taken to ensure that the data listed in this catalogue is correct. Challenge accepts no liability for any inaccuracies or damage caused

Conveyor Chain

Deep Link

BS Conveyor Chain (BS 4116 Part 4)



Deep Link Chain

| Chain Number | Minimum Breaking (Load) lbf | Pitch Inches | Pitch mm | E | C2 | A1 | G | H | S | T1 | T2 | J1 | J2 | J3 | Breaking Load | | | Weight (Type C) kg/m |
|--------------|-----------------------------|--------------|----------|----|-------|----|------|----|----|----|----|----|------|------|---------------|-----------|------------|----------------------|
| | | | | | | | | | | | | | | | Minimum N | Average N | Up rated N | |
| CE40 | 7 500 | 2.0 | 50.8 | 15 | 31.75 | 17 | 14 | 40 | 27 | 4 | 4 | 37 | 22 | 28.5 | 33 000 | 40 000 | 60 000 | 5.0 |
| CE40 | " | 2.5 | 63.5 | " | " | " | " | " | " | " | " | " | " | " | " | " | " | 4.6 |
| CE40 | " | 3.0 | 76.2 | " | " | " | " | " | " | " | " | " | " | " | " | " | " | 4.2 |
| CE40 | " | 3.5 | 88.9 | " | " | " | " | " | " | " | " | " | " | " | " | " | " | 4.0 |
| CE40 | " | 4.0 | 101.6 | " | " | " | " | " | " | " | " | " | " | " | " | " | " | 3.8 |
| CE40 | " | 5.0 | 127.0 | " | " | " | " | " | " | " | " | " | " | " | " | " | " | 3.5 |
| CE40 | " | 6.0 | 152.4 | " | " | " | " | " | " | " | " | " | " | " | " | " | " | 3.3 |
| CE100 | 15 000 | 3.0 | 76.2 | 19 | 47.5 | 23 | 19 | 50 | 30 | 5 | 4 | 45 | 28 | 37 | 67 000 | 100 000 | 160 000 | 8.9 |
| CE100 | " | 3.5 | 88.9 | " | " | " | " | " | " | " | " | " | " | " | " | " | " | 8.4 |
| CE100 | " | 4.0 | 101.6 | " | " | " | " | " | " | " | " | " | " | " | " | " | " | 7.6 |
| CE100 | " | 5.0 | 127.0 | " | " | " | " | " | " | " | " | " | " | " | " | " | " | 6.8 |
| CE100 | " | 6.0 | 152.4 | " | " | " | " | " | " | " | " | " | " | " | " | " | " | 6.3 |
| CE100 | " | 7.0 | 177.8 | " | " | " | " | " | " | " | " | " | " | " | " | " | " | 5.9 |
| CE100 | " | 8.0 | 203.2 | " | " | " | " | " | " | " | " | " | " | " | " | " | " | 7.7 |
| CE160 | 30 000 | 4.0 | 101.6 | 26 | 66.7 | 33 | 26.9 | 70 | 45 | 7 | 5 | 58 | 34.5 | 51 | 134 000 | 160 000 | 200 000 | 17.5 |
| CE160 | " | 5.0 | 127.0 | " | " | " | " | " | " | " | " | " | " | " | " | " | " | 15.4 |
| CE160 | " | 6.0 | 152.4 | " | " | " | " | " | " | " | " | " | " | " | " | " | " | 13.8 |
| CE160 | " | 7.0 | 177.8 | " | " | " | " | " | " | " | " | " | " | " | " | " | " | 12.8 |
| CE160 | " | 8.0 | 203.2 | " | " | " | " | " | " | " | " | " | " | " | " | " | " | 12.0 |
| CE160 | " | 9.0 | 228.6 | " | " | " | " | " | " | " | " | " | " | " | " | " | " | 11.3 |
| CE160 | " | 10.0 | 254.0 | " | " | " | " | " | " | " | " | " | " | " | " | " | " | 10.5 |
| CE300 | 45 000 | 6.0 | 152.4 | 38 | 88.9 | 38 | 28 | 90 | 60 | 10 | 8 | 83 | 47 | 70 | 200 000 | 300 000 | 340 000 | 32.0 |
| CE300 | " | 7.0 | 177.8 | " | " | " | " | " | " | " | " | " | " | " | " | " | " | 29.5 |
| CE300 | " | 8.0 | 203.2 | " | " | " | " | " | " | " | " | " | " | " | " | " | " | 27.0 |
| CE300 | " | 10.0 | 254.0 | " | " | " | " | " | " | " | " | " | " | " | " | " | " | 24.5 |
| CE300 | " | 12.0 | 304.8 | " | " | " | " | " | " | " | " | " | " | " | " | " | " | 23.0 |
| CE300/60 | 60 000 | 6.0 | 152.4 | 38 | 88.9 | 38 | 32 | 90 | 60 | 10 | 8 | 84 | 52 | 71 | 267 000 | 300 000 | 380 000 | 32.0 |
| CE300/60 | " | 7.0 | 177.8 | " | " | " | " | " | " | " | " | " | " | " | " | " | " | 29.5 |
| CE300/60 | " | 8.0 | 203.2 | " | " | " | " | " | " | " | " | " | " | " | " | " | " | 27.0 |
| CE300/60 | " | 10.0 | 254.0 | " | " | " | " | " | " | " | " | " | " | " | " | " | " | 24.5 |
| CE300/60 | " | 12.0 | 304.8 | " | " | " | " | " | " | " | " | " | " | " | " | " | " | 23.0 |

Up rated breaking load chain has heat treated side plates.