

General Information

Material and Groove Specifications:

Challenge pulleys are manufactured from fine grain grey cast iron grade GG-25. Groove dimensions conform to DIN 2211/1 for both eccentricity of outside diameter to bore and groove side wobble tolerance. They are suitable for use with all wedge belts according to DIN 7753/1 and all classical V-belts according to DIN 2215.

Circumferential Speeds:

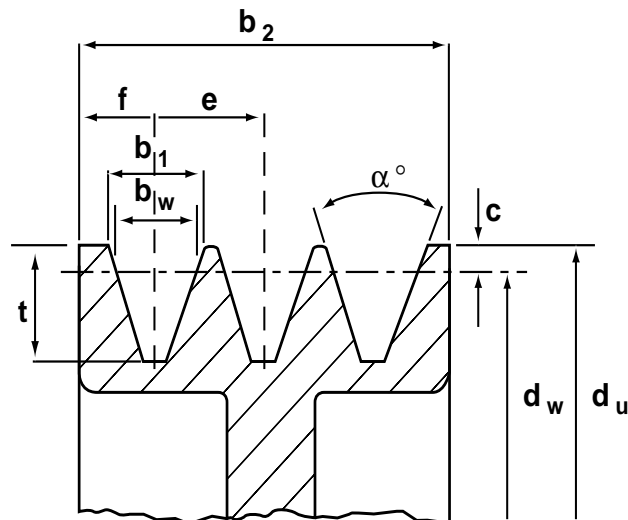
Circumferential speeds of up to 40 m/s are permissible

Balancing Specifications:

All Challenge pulleys are balanced to grade Q6.3 or better.

- Pulleys with a weight of 100Kg and above are dynamically balanced (two planes).
- All pulleys with a weight less than 100kg are statically machine balanced (one plane).

V-belt Pulleys DIN 2211/1



Profile	d_w (mm)	α°	b_1	b_w	c	f	e	t_{min}
SPZ (10Z)	Up to 80 Over 80	34 38	9.7	8.5	2.0	8 ± 0.3	12 ± 0.3	$11+0.6$
SPA (13A)	Up to 118 Over 118	34 38	12.7	11.0	2.8	10 ± 0.3	15 ± 0.3	$14+0.6$
SPB (17B)	Up to 190 Over 190	34 38	16.3	14.0	3.5	12.5 ± 0.4	19 ± 0.4	$18+0.6$
SPC (22C)	Up to 315 Over 315	34 38	22.0	19.0	4.8	17 ± 0.5	25.5 ± 0.5	$24+0.6$

Width of Pulleys b_2

No. of Grooves	1	2	3	4	5	6	8	10
SPZ	16	28	40	52	64	76	100	-
SPA	20	35	50	65	80	95	-	-
SPB	25	44	63	82	101	120	158	196
SPC	-	-	85	110.5	136	161.5	212.5	263.5